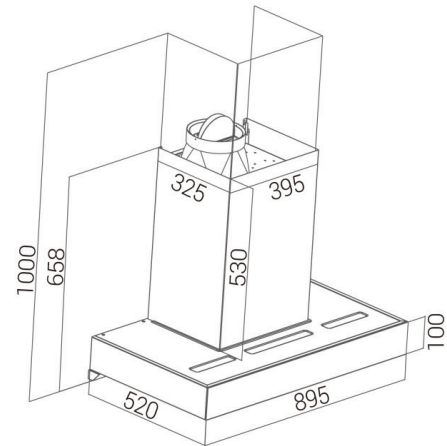




Dimensions/Weight

Overall dimensions (mm): 1000(h) x 895(w) x 520(d)
 Duct diameter(mm): 180
 Weight: 30kg



Technical Details

Style

Rangehood Type: Canopy
 Category Size: 90cm

Functionality

Extraction Type: Ducted
 Extraction Rate: 1600m³/hr Gross
 1163m³/hr Net
 Number of Motors: 1
 Watts of Motor: 200w
 Speeds: 3
 Filtration: 1 x Patented cleaningless
 Lights: 1 x 4W LED
 dBA Rating: 46-55

Accessories

Charcoal Filter: NA

Installation

Maximum Current: 10amps
 Connection: 240v, 50Hz
 Installation Type: Wall Mounted

Warranty: 24 Months Parts & Labour

Aesthetics

Finish: Black with black glass control panel
 Controls: Touch Buttons
 Control location: Front Centre

Key Features



LED Light

LED lights use a small amount of energy, generate little heat and last a long time. Not only are they cost effective, they will ensure your cooktop is well lit.



Touch Buttons

With backlit touch buttons, you can easily determine your rangehoods settings at a glance.



Timer

Set the timer at the end of your cooking and the rangehood will turn itself off when the timer runs out.

Customer Care

T: 1300 739 033 (AU)

E: customercare@omegaplumbing.com.au

09 415 6000 (NZ)

customercare@monacocorp.co.nz

Updated 30/01/2020 - V1

NB: Drawings are not to scale - they are to assist only.

WARNING: technical specifications and product sizes can be varied by the manufacturer without notice. Cutouts for appliances should only be by physical product measurements. The above information is indicative only.