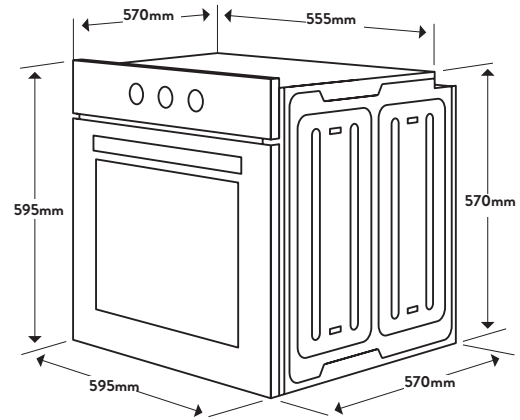




Dimensions/Weight

Overall Dimensions (mm): 595(h) x 595(w) x 570(d)
Cutout Dimensions (mm): 598(h) x 598(w)
Weight: 36.6kg



Technical Details

Style

Oven Type: Standard
Category Size: 60cm
Capacity: 90 Litres

Functionality

Oven Functions: Fan Forced
Half Grill
Grill
Grill with Fan Assist
Pyrolytic Clean
Conventional with Fan Assist
Defrost
Pyrolytic Cleaning Period: 60 or 90 minutes
Max Cooking Temperature: 270°C
Clock: Yes
Timer: Fully Programmable
Number of Shelf Positions: 8
Interior Light: Yes

Features & Accessories

Accessories: 2 x Chrome Wire Shelves
1 x Baking Tray with Grill Insert
1 x 80mm Deep Baking Tray
1 x Set of Telescopic Runners
Easy View Door: Yes

Installation

Maximum Current: 15amps
Connection: 240V, 50Hz
Installation Type: Built-In
Made In: Europe
Warranty: 24 Months Parts & Labour

Customer Care

T: 1300 739 033 (AU) 09 415 6000 (NZ)
E: customercare@omegaappliances.com.au customercare@monacocorp.co.nz
Updated 06/07/2020 - V2

Aesthetics

Finish: Black Glass with Dark Inox Trim
Controls: Knob & Touch Control
Door: Top Opening, Quad Glazed

Key Features

EUR **Made in Europe**
Built to the highest quality and standards, this quality European pyrolytic oven is sure to meet your needs.

Pyrolytic Cleaning
Ovens with this feature use extreme internal heat to turn any grease and food residue into ash that can simply be wiped away. The cleaning period can be set to 60 or 90 minutes.

Multifunction
Multifunction ovens enable you to cook with a combination of heat from the top and bottom elements. This offers more versatility, control and better results when cooking a variety of dishes.

NB: Drawings are not to scale - they are to assist only.
WARNING: technical specifications and product sizes can be varied by the manufacturer without notice. Cutouts for appliances should only be by physical product measurements.
The above information is indicative only.