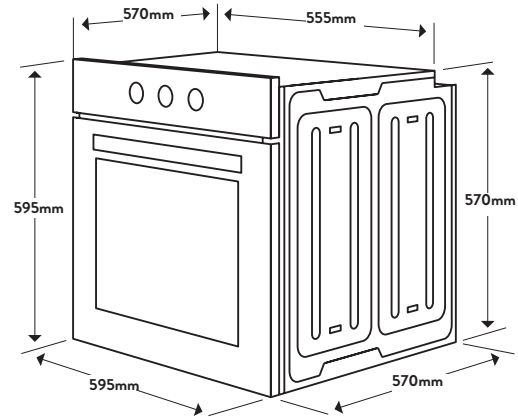




## Dimensions/Weight

Overall Dimensions (mm): 595(h) x 595(w) x 570(d)  
 Flushmount Cutout Dimensions (mm): 598(h) x 598(w)  
 Proudmount Cutout Dimensions (mm): 600(h) x 560(w) x 585(d)  
 Weight: 32.1kg



## Technical Details

### Style

Oven Type: Standard  
 Category Size: 60cm  
 Capacity: 90 Litres

### Functionality

Oven Functions: Fan Forced  
 Grill  
 Maxi Grill  
 Conventional  
 Conventional with Fan Assist  
 Defrost  
 Maximum Temperature: 270°C  
 Clock: Yes  
 Timer: Fully Programmable  
 Number of Shelf Positions: 12  
 Interior Light: Yes

### Features & Accessories

Accessories: 1 x Chrome Wire Shelf  
 1 x Shallow Baking Tray  
 1 x Grill Insert  
 1 x 80mm Baking Tray  
 Easy View Door: Yes

### Installation

Maximum Current: 15amps  
 Connection: 240V, 50Hz  
 Installation Type: Built-In

Made In: Europe  
 Warranty: 24 Months Parts & Labour

## Customer Care

T: 1300 739 033 (AU) 09 415 6000 (NZ)  
 E: [customercare@omegaappliances.com.au](mailto:customercare@omegaappliances.com.au) [customercare@monacocorp.co.nz](mailto:customercare@monacocorp.co.nz)

Updated 30/01/2020 - V1

## Aesthetics

Finish: Black Glass with Dark Inox Trim  
 Controls: Knob & Touch Control  
 Door: Top Opening, Double Glazed

## Key Features

90L

### 90 Litre Capacity

With an 80mm deep baking tray and the large 90L capacity, you can maximise the usage of your oven to accommodate more food.

12

### 12 Rack Positions

12 rack/shelf positions inside the oven provides maximum flexibility. You can easily move the shelves to fit more food or place it in a better position for perfect cooking results.



### Multifunction

Multifunction ovens enable you to cook with a combination of heat from the top and bottom elements. This offers more versatility, control and better results when cooking a variety of dishes.

NB: Drawings are not to scale - they are to assist only.

WARNING: technical specifications and product sizes can be varied by the manufacturer without notice. Cutouts for appliances should only be by physical product measurements. The above information is indicative only.