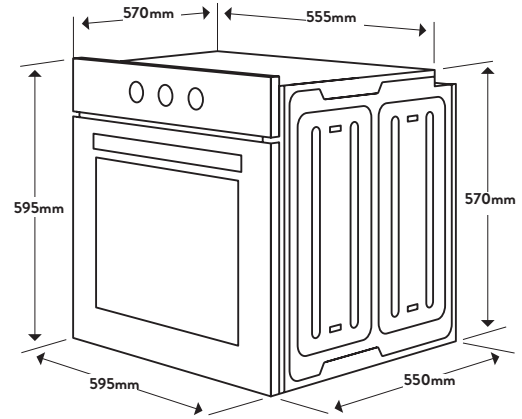




Dimensions/Weight

Overall Dimensions (mm): 595(h) x 595(w) x 570(d)
 Flushmount Cutout Dimensions (mm): 598(h) x 598(w)
 Proudmount Cutout Dimensions (mm): 600(h) x 560(w) x 580(d)
 Weight: 29.3kg



Technical Details

Style

Oven Type: Standard
 Category Size: 60cm
 Capacity: 70 Litres

Functionality

Oven Functions: Fan Forced
 Grill
 Grill with Fan Assist
 Defrost
 Maximum Temperature: 270°C
 Clock: No
 Timer: Semi-Automatic
 Number of Shelf Positions: 9
 Interior Light: Yes

Features & Accessories

Accessories: 2 x Chrome Wire Shelves
 1 x Shallow Baking Tray
 Easy View Door: Yes

Installation

Maximum Current: 10amps
 Includes Plug
 Connection: 240V, 50Hz
 Installation Type: Built-In

Made-In: Europe
 Warranty: 24 Months Parts & Labour

Aesthetics

Finish: Black Glass with Dark Inox Trim
 Controls: Knob Control
 Door: Top Opening, Double Glazed

Key Features



Easy View Door

With the extra large and clear window, monitoring your cooking has never been easier delivering the best results every time.



Plug & Play

Designed with a 10amp plug to connect straight into the wall means you plug in and go.



Serigraphy Under The Glass

With the markings under the glass it means that even after a heavy clean you will not rub off any key information. It is designed to stand the test of time.

Customer Care

T: 1300 739 033 (AU) 09 415 6000 (NZ)
 E: customercare@omegaappliances.com.au customercare@monacocorp.co.nz

NB: Drawings are not to scale - they are to assist only.
 WARNING: technical specifications and product sizes can be varied by the manufacturer without notice. Cutouts for appliances should only be by physical product measurements. The above information is indicative only.