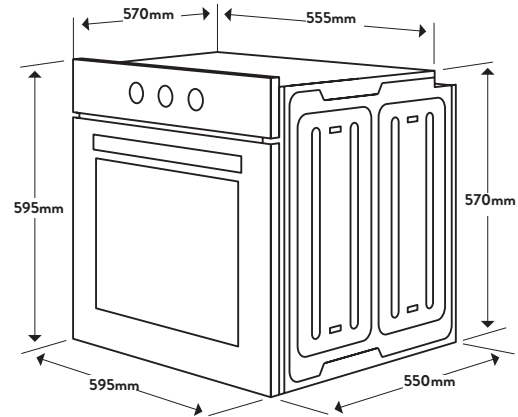




Dimensions/Weight

Overall Dimensions (mm): 595(h) x 595(w) x 570(d)
 Flushmount Cutout Dimensions (mm): 598(h) x 598(w)
 Proudmount Cutout Dimensions (mm): 600(h) x 560(w) x 585(d)
 Weight: 32.1kg



Technical Details

Style

Oven Type: Standard
 Category Size: 60cm
 Capacity: 90 Litres

Functionality

Oven Functions: Fan Forced
 Grill
 Maxi Grill
 Conventional
 Conventional with Fan Assist
 Defrost
 Maximum Temperature: 270°C
 Clock: Yes
 Timer: Fully Programmable
 Number of Shelf Positions: 12
 Interior Light: Yes

Features & Accessories

Accessories: 1 x Chrome Wire Shelf
 1 x Shallow Baking Tray
 1 x Grill Insert
 1 x 80mm Baking Tray
 Easy View Door: Yes

Installation

Maximum Current: 15amps
 Connection: 240V, 50Hz
 Installation Type: Built-In

Made In: Europe
 Warranty: 24 Months Parts & Labour

Customer Care

T: 1300 739 033 (AU) 09 415 6000 (NZ)
 E: customercare@omegaappliances.com.au customercare@monacocorp.co.nz

Updated 30/01/2020 - V1

Aesthetics

Finish: Black Glass with Stainless Steel Trim
 Controls: Knob & Touch Control
 Door: Top Opening, Double Glazed

Key Features

90L

90 Litre Capacity

With an 80mm deep baking tray and the large 90L capacity, you can maximise the usage of your oven to accommodate more food.

12

12 Rack Positions

12 rack/shelf positions inside the oven provides maximum flexibility. You can easily move the shelves to fit more food or place it in a better position for perfect cooking results.



Multifunction

Multifunction ovens enable you to cook with a combination of heat from the top and bottom elements. This offers more versatility, control and better results when cooking a variety of dishes.

NB: Drawings are not to scale - they are to assist only.

WARNING: technical specifications and product sizes can be varied by the manufacturer without notice. Cutouts for appliances should only be by physical product measurements. The above information is indicative only.