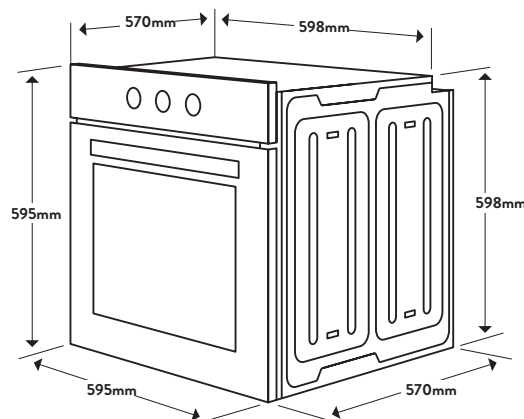




Dimensions/Weight

Overall dimensions (mm): 595(h) x 595(w) x 570(d)
 Flushmount Cutout dimensions (mm): 598(h) x 598(w)
 Proudmount Cutout Dimensions (mm): 600(h) x 560(w) x 585(d)
 Weight: 30.9kg



Technical Details

Style

Oven Type: Standard
 Category Size: 60cm
 Capacity: 90 Litres

Functionality

Oven Functions: Fan Forced
 Grill
 Grill with Fan Assist
 Defrost
 Maximum Temperature: 270°C
 Clock: No
 Timer: Semi-Automatic
 Number of Shelf Positions: 12
 Interior Light: Yes

Features & Accessories

Accessories: 1 x Chrome Wire Shelf
 1 x Shallow Baking Tray
 1 x Grill Insert
 1 x 80mm Baking Tray
 Easy View Door: Yes

Installation

Maximum Current: 10amps
 Includes Plug
 Connection: 240V, 50Hz
 Installation Type: Built-In

Made In: Europe
 Warranty: 24 Months Parts & Labour

Updated 27/01/2020 - V1

Customer Care

T: 1300 739 033 (AU)
 E: customer care@omegaaappliances.com.au

09 415 6000 (NZ)
customer care@monacocorp.co.nz

Aesthetics

Finish: Black Glass with Stainless Steel Trim
 Controls: Knob Control
 Door: Top Opening, Double Glazed

Key Features

90L **90 Litre Capacity**
 With an 80mm deep baking tray and the large 90L capacity, you can maximise the usage of your oven to accommodate more food.

12 **12 Rack Positions**
 12 rack/shelf positions inside the oven provides maximum flexibility. You can easily move the shelves to fit more food or place it in a better position for perfect cooking results.

Plug & Play
 Designed for easy installation with a 10amp plug to connect straight into the wall means you plug in and start cooking straight away.

NB: Drawings are not to scale - they are to assist only.

WARNING: technical specifications and product sizes can be varied by the manufacturer without notice. Cutouts for appliances should only be by physical product measurements. The above information is indicative only.