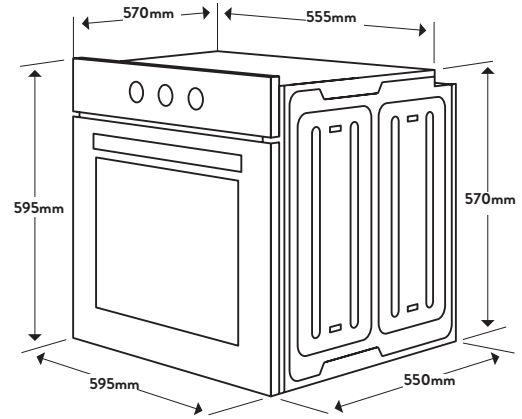




## Dimensions/Weight

Overall Dimensions (mm): 595(h) x 595(w) x 570(d)  
 Flushmount Cutout Dimensions (mm): 598(h) x 598(w)  
 Proudmount Cutout Dimensions (mm): 600(h) x 560(w) x 580(d)  
 Weight: 29.3kg



## Technical Details

### Style

Oven Type: Standard  
 Category Size: 60cm  
 Capacity: 70 Litres

### Functionality

Oven Functions: Fan Forced  
 Grill  
 Grill with Fan Assist  
 Defrost  
 Maximum Temperature: 270°C  
 Clock: No  
 Timer: Semi-Automatic  
 Number of Shelf Positions: 9  
 Interior Light: Yes

### Features & Accessories

Accessories: 2 x Chrome Wire Shelves  
 1 x Shallow Baking Tray  
 Easy View Door: Yes

### Installation

Maximum Current: 10amps  
 Includes Plug  
 Connection: 240V, 50Hz  
 Installation Type: Built-In

Made-In: Europe  
 Warranty: 24 Months Parts & Labour

## Customer Care

T: 1300 739 033 (AU) 09 415 6000 (NZ)  
 E: [customercare@omegaappliances.com.au](mailto:customercare@omegaappliances.com.au) [customercare@monacocorp.co.nz](mailto:customercare@monacocorp.co.nz)

Updated 30/01/2020 - V1

## Aesthetics

Finish: Black Glass with Stainless Steel Trim  
 Controls: Knob Control  
 Door: Top Opening, Double Glazed

## Key Features



### Easy View Door

With the extra large and clear window, monitoring your cooking has never been easier delivering the best results every time.



### Plug & Play

Designed with a 10amp plug to connect straight into the wall means you plug in and go.



### Serigraphy Under The Glass

With the markings under the glass it means that even after a heavy clean you will not rub off any key information. It is designed to stand the test of time.

NB: Drawings are not to scale - they are to assist only.

WARNING: technical specifications and product sizes can be varied by the manufacturer without notice. Cutouts for appliances should only be by physical product measurements. The above information is indicative only.