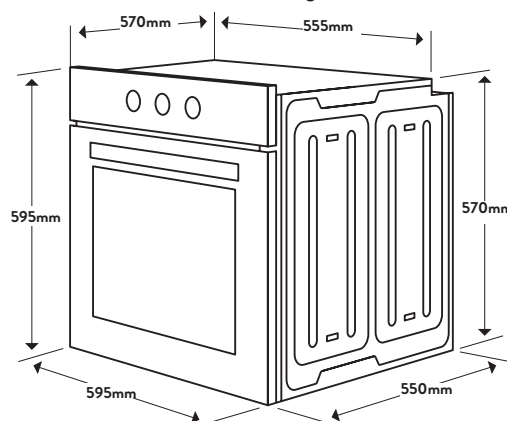




## Dimensions/Weight

Overall Dimensions (mm): 595(h) x 595(w) x 570(d)  
 Cutout Dimensions (mm): 598(h) x 598(w)  
 Weight: 36.6kg



## Technical Details

### Style

Oven Type: Standard  
 Category Size: 60cm  
 Capacity: 90 Litres

### Functionality

Oven Functions: Fan Forced  
 Half Grill  
 Grill  
 Grill with Fan Assist  
 Pyrolytic Clean  
 Conventional  
 Conventional with Fan Assist  
 Defrost  
 Pyrolytic Cleaning Period: 60 or 90 minutes  
 Max Cooking Temperature: 270°C  
 Clock: Yes  
 Timer: Fully Programmable  
 Number of Shelf Positions: 8  
 Interior Light: Yes

### Features & Accessories

Accessories: 2 x Chrome Wire Shelves  
 1 x Baking Tray with Grill Insert  
 1 x 80mm Deep Baking Tray  
 1 x Set of Telescopic Runners  
 Easy View Door: Yes

### Installation

Maximum Current: 15amps  
 Connection: 240V, 50Hz  
 Installation Type: Built-In  
 Made In: Europe  
 Warranty: 24 Months Parts & Labour

## Customer Care

T: 1300 739 033 (AU) 09 415 6000 (NZ)  
 E: [customer care@omegaappliances.com.au](mailto:customer care@omegaappliances.com.au) [customer care@monacocorp.co.nz](mailto:customer care@monacocorp.co.nz)  
 Updated 06/07/2020 - V2

## Aesthetics

Finish: Black Glass with Stainless Steel Trim  
 Controls: Knob & Touch Control  
 Door: Top Opening, Quad Glazed

## Key Features

**EUR** **Made in Europe**  
 Built to the highest quality and standards, this quality European pyrolytic oven is sure to meet your needs.

**Pyrolytic Cleaning**  
 Ovens with this feature use extreme internal heat to turn any grease and food residue into ash that can simply be wiped away. The cleaning period can be set to 60 or 90 minutes.

**Multifunction**  
 Multifunction ovens enable you to cook with a combination of heat from the top and bottom elements. This offers more versatility, control and better results when cooking a variety of dishes.

NB: Drawings are not to scale - they are to assist only.  
 WARNING: technical specifications and product sizes can be varied by the manufacturer without notice. Cutouts for appliances should only be by physical product measurements.  
 The above information is indicative only.