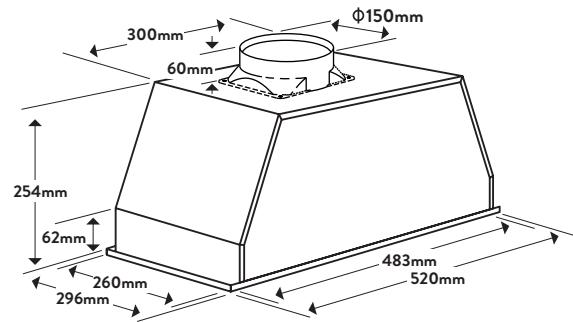




Dimensions/Weight

| | |
|--------------------------|--------------------------|
| Overall Dimensions (mm): | 254(h) x 520(w) x 296(d) |
| Duct Diameter (mm): | 150mm |
| Weight: | 7kg |



Technical Details

Style

| | |
|-----------------|------------|
| Rangehood Type: | Undermount |
| Category Size: | 52cm |

Functionality

| | |
|-------------------|--|
| Extraction Type: | Ducted or Recirculating |
| Extraction Rate: | 612m ³ /hr Net 700m ³ /hr Gross |
| Number of Motors: | 1 |
| Watts of Motor: | 190w |
| Speeds: | Single Speed (Top Speed) |
| Filtration: | 1 x Aluminium Mesh |
| Lights: | 2 x 40W Halogen |
| dBA Rating: | 51-58dBA |

Accessories

| | |
|------------------|--------------------|
| Charcoal Filter: | Optional (ORCF110) |
|------------------|--------------------|

Installation

| | |
|--------------------|----------------------------------|
| Maximum Current: | 10amps 3 Pin Plug |
| Connection: | 240V, 50Hz |
| Installation Type: | Built Into Overhead Cabinetry |

| | |
|-----------|--------------------------|
| Warranty: | 24 Months Parts & Labour |
|-----------|--------------------------|

Aesthetics

| | |
|-----------|-----------------|
| Finish: | Stainless Steel |
| Controls: | NA |

Key Features



Concealed Design

This rangehood will be concealed and look streamline under cupboards, perfect for smaller kitchens.



Buttonless design

This rangehood should be installed to operate when the cooktop is switched on by a separate switch. This design is great for student accommodation, allowing for correct operation of the product.

Customer Care

T: 1300 739 033 (AU)

E: customercare@omegaappliances.com.au

09 415 6000 (NZ)

customercare@monacocorp.co.nz

Updated 30/01/2020 - V1

NB: Drawings are not to scale - they are to assist only.

WARNING: technical specifications and product sizes can be varied by the manufacturer without notice. Cutouts for appliances should only be by physical product measurements. The above information is indicative only.