

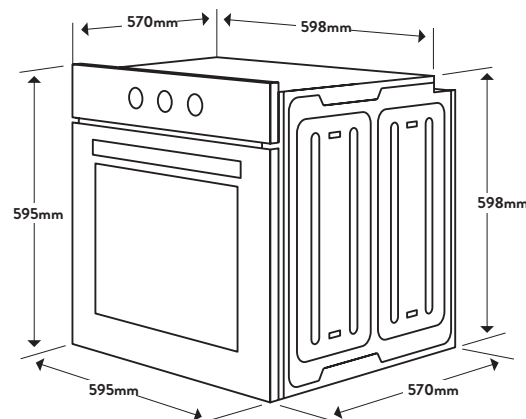


## Dimensions/Weight

Overall dimensions (mm): 595(h) x 595(w) x 570(d)

Cutout dimensions (mm): 598(h) x 598(w)

Weight: 30.9kg



## Technical Details

### Style

Oven Type:	Standard
Category Size:	60cm
Capacity:	90 Litres

### Functionality

Oven Functions:	Fan Forced Grill Grill with Fan Assist Defrost
Maximum Temperature:	270°C
Clock:	No
Timer:	Semi-Automatic
Number of Shelf Positions:	12
Interior Light:	Yes

### Features & Accessories

Accessories:	1 x Chrome Wire Shelf 1 x Shallow Baking Tray 1 x Grill Insert 1 x 80mm Baking Tray
Easy View Door:	Yes

### Installation

Maximum Current:	10amps Includes Plug
Connection:	240V, 50Hz
Installation Type:	Built-In

Made In:	Europe
Warranty:	24 Months Parts & Labour

Updated 27/01/2020 - V1

## Customer Care

T: 1300 739 033 (AU)

E: [customer care@omegaaappliances.com.au](mailto:customer care@omegaaappliances.com.au)

09 415 6000 (NZ)

[customer care@monacocorp.co.nz](mailto:customer care@monacocorp.co.nz)

## Aesthetics

Finish:	Black Glass with Stainless Steel Trim
Controls:	Knob Control
Door:	Top Opening, Double Glazed

## Key Features

90L

### 90 Litre Capacity

With an 80mm deep baking tray and the large 90L capacity, you can maximise the usage of your oven to accommodate more food.

12

### 12 Rack Positions

12 rack/shelf positions inside the oven provides maximum flexibility. You can easily move the shelves to fit more food or place it in a better position for perfect cooking results.



### Plug & Play

Designed for easy installation with a 10amp plug to connect straight into the wall means you plug in and start cooking straight away.

NB: Drawings are not to scale - they are to assist only.

WARNING: technical specifications and product sizes can be varied by the manufacturer without notice. Cutouts for appliances should only be by physical product measurements. The above information is indicative only.