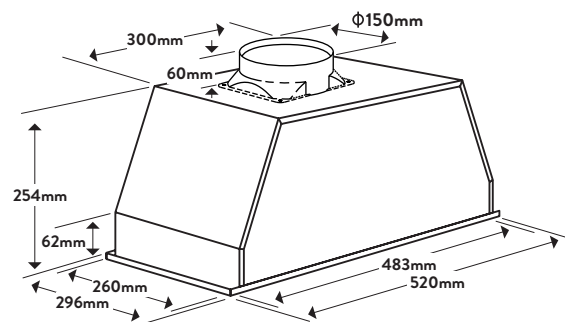




## Dimensions/Weight

Overall Dimensions (mm): 254(h) x 520(w) x 296(d)  
Duct Diameter (mm): 150mm  
Weight: 7.5kg



## Technical Details

### Style

Rangehood Type: Undermount  
Category Size: 52cm

### Functionality

Extraction Type: Ducted or Recirculating  
Extraction Rate: 790m<sup>3</sup>/hr Net  
Number of Motors: 1  
Watts of Motor: 265w  
Speeds: 3  
Filtration: 1 x Aluminium Removable & Washable Filters  
Lights: 2 x 3W LED  
dBA Rating: 51-66dBA

### Accessories

Charcoal Filter: Included  
ALFL68A601C - Spare Part

### Installation

Maximum Current: 10amps 3 Pin Plug  
Connection: 240V, 50Hz  
Installation Type: Built Into Overhead Cabinetry

Warranty: 24 Months Parts & Labour

## Aesthetics

Finish: Stainless Steel  
Controls: Push Buttons

## Key Features



### High Air Extraction

Cooking three or four dishes at once on a cook top usually generates extra steam and smoke. So, if your favourite dishes rely on woks, pots and frying pans then you probably need a powerful Omega rangehood. One that clears the air quietly and efficiently. Look for a higher model number. That means it offer more powerful suction.



### Concealed Design

This rangehood will be concealed and look streamline under cupboards, perfect for smaller kitchens.



### LED Light

LED lights use a small amount of energy, generate little heat and last a long time. Not only are they cost effective, they will ensure your cooktop is well lit.

## Customer Care

T: 1300 739 033 (AU) 09 415 6000 (NZ)  
E: [customercare@omegaappliances.com.au](mailto:customercare@omegaappliances.com.au) [customercare@monacocorp.co.nz](mailto:customercare@monacocorp.co.nz)

Updated 30/01/2020 - V1

NB: Drawings are not to scale - they are to assist only.  
WARNING: technical specifications and product sizes can be varied by the manufacturer without notice. Cutouts for appliances should only be by physical product measurements. The above information is indicative only.

**omega**