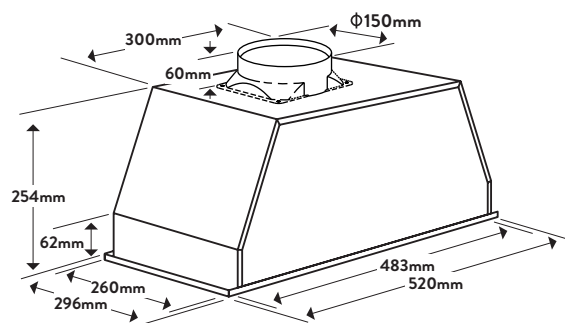




## Dimensions/Weight

Overall Dimensions (mm): 254(h) x 520(w) x 296(d)  
 Duct Diameter (mm): 150mm  
 Weight: 7kg



## Technical Details

### Style

Rangehood Type: Undermount  
 Category Size: 52cm

### Functionality

Extraction Type: Ducted or Recirculating  
 Extraction Rate: 612m<sup>3</sup>/hr Net  
 700m<sup>3</sup>/hr Gross  
 Number of Motors: 1  
 Watts of Motor: 190w  
 Speeds: 3  
 Filtration: 1 x Aluminium Mesh  
 Lights: 2 x 1.5W LED  
 dBA Rating: 51-58dBA

### Accessories

Charcoal Filter: Optional (ORCF110)

### Installation

Maximum Current: 10amps 3 Pin Plug  
 Connection: 240V, 50Hz  
 Installation Type: Built Into Overhead  
 Cabinetry

Warranty: 24 Months Parts & Labour

## Aesthetics

Finish: Stainless Steel  
 Controls: Push Buttons

## Key Features



### Concealed Design

This rangehood will be concealed and look streamline under cupboards, perfect for smaller kitchens.



### LED Light

LED lights use a small amount of energy, generate little heat and last a long time. Not only are they cost effective, they will ensure your cooktop is well lit.



### Washable Filter

The removable, washable filter is easy to maintain and keep clean ensuring your rangehood always performs well.

## Customer Care

T: 1300 739 033 (AU)

E: [customercare@omegaaappliances.com.au](mailto:customercare@omegaaappliances.com.au)

09 415 6000 (NZ)

[customercare@monacocorp.co.nz](mailto:customercare@monacocorp.co.nz)

Updated 30/01/2020 - V1

NB: Drawings are not to scale - they are to assist only.  
 WARNING: technical specifications and product sizes can be varied by the manufacturer without notice. Cutouts for appliances should only be by physical product measurements. The above information is indicative only.