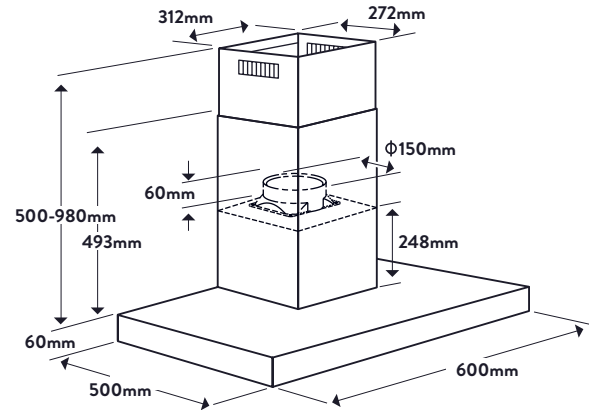




Dimensions/Weight

Overall Dimensions (mm): 560-1040(h) x 600(w) x 500(d)
 Duct Diameter(mm): 150
 Weight: 18kg



Technical Details

Style

Rangehood Type: T Canopy
 Category Size: 60cm

Functionality

Extraction Type: Ducted or Recirc.
 Extraction Rate: 752m³/hr Net
 1000m³/hr Gross
 Number of Motors: 1
 Watts of Motor: 265w
 Speeds: 3
 Filtration: 1 x Aluminium Mesh
 Lights: 1 x 18w LED Panel
 dBA Rating: 56-68

Accessories

Charcoal Filter: Optional - Spare Part
 ATCF260

Installation

Maximum Current: 10amps
 Connection: 240v, 50Hz
 Installation Type: Wall Mounted

Made In: China
 Warranty: 24 Months Parts & Labour

Aesthetics

Finish: Matte Black
 Controls: Backlit Buttons
 Control location: Front Centre

Key Features



LED Light

LED lights use a small amount of energy, generate little heat and last a long time. Not only are they cost effective, they will ensure your cooktop is well lit.



Backlit Buttons

With backlit buttons, you can easily determine your rangehoods settings at a glance.



Matte Black Finish

Black is on trend making this rangehood a great addition to your new or updated kitchen.

Customer Care

T: 1300 739 033 (AU) 09 415 6000 (NZ)
 E: customercare@omegaappliances.com.au customercare@monacocorp.co.nz

Updated 30/01/2020 - V1

NB: Drawings are not to scale - they are to assist only.

WARNING: technical specifications and product sizes can be varied by the manufacturer without notice. Cutouts for appliances should only be by physical product measurements. The above information is indicative only.