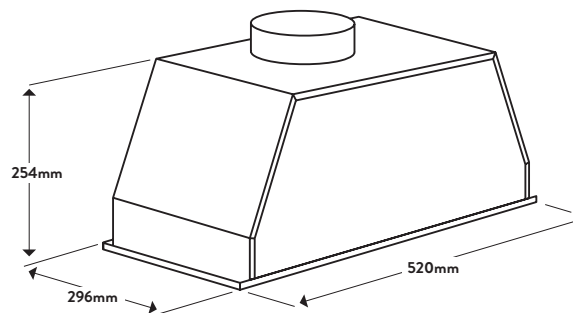


**Dimensions/Weight**

Overall Dimensions (mm): 250(h) x 520(w) x 296(d)  
 (+60h for the Flue Connection)  
 Chimney Height (mm): N/A  
 Flue Diameter (mm): 150mm  
 Weight: 7.5kg



**Technical Details**

**Style**

Rangehood Type: Undermount  
 Category Size: 52cm

**Functionality**

Extraction Type: Ducted or Recirculating  
 Extraction Rate: 612m<sup>3</sup>/hr Net  
 Number of Motors: 1  
 Watts of Motor: 190w  
 Speeds: 3  
 Filtration: 1 x Aluminium Removable & Washable Filters  
 Lights: 2 x 40W Halogen  
 dBA Rating: 58dBA

**Accessories**

Carbon Filter: Optional (ORCF110)

**Installation**

Maximum Current: 10amps 3 Pin Plug  
 Connection: 240V, 50Hz  
 Installation Type: Built Into Overhead Cabinetry

Warranty: 24 Months Parts & Labour

**Aesthetics**

Finish: Stainless Steel  
 Controls: Without Switch

**Key Features**



**Carbon Filters**

Carbon filters do a superior job of cleaning the air before it re-enters the kitchen, ensuring your kitchen will be smelling fresh.



**Washable Filter**

The removable, washable filter is easy to maintain and keep clean ensuring your rangehood always performs well.

**Customer Care**

T: 1300 739 033 (AU) 09 415 6000 (NZ)  
 E: [customercare@omegaappliances.com.au](mailto:customercare@omegaappliances.com.au) [customercare@monacocorp.co.nz](mailto:customercare@monacocorp.co.nz)

Updated 30/01/2020 - V1

NB: Drawings are not to scale - they are to assist only.  
 WARNING: technical specifications and product sizes can be varied by the manufacturer without notice. Cutouts for appliances should only be by physical product measurements. The above information is indicative only.

