
omega

Instructions for the Use and Care and Installation of

ORT60X

ORT90X

Slide-out Rangehoods

CONTENTS

- 1 INSTALLATION INSTRUCTIONS**
- 2 OPERATION**
- 3 USE AND MAINTENANCE**
- 4 SPECIFICATION**

It is important that you retain these instructions, proof of purchase as well as other important documents about this product for future reference.

Due to continual product development, Omega reserves the right to alter specifications or appearances without notice.

Dispose of packaging responsibly – recycle where facilities are available.

WARNING

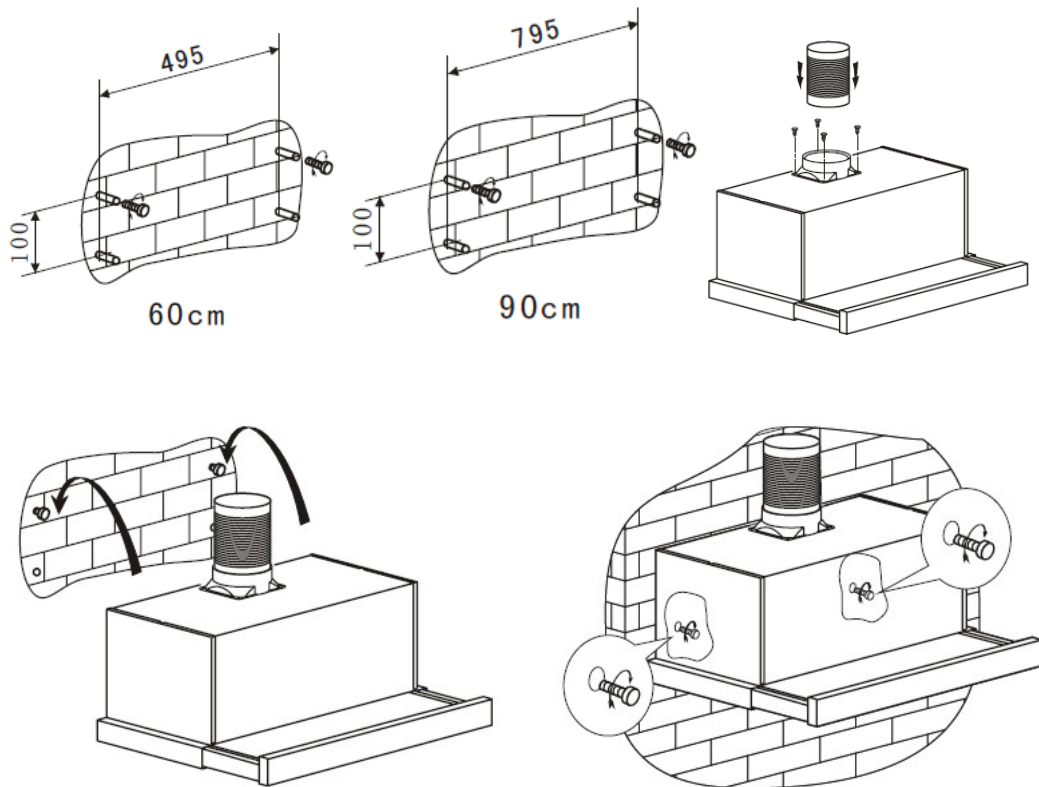
- Young children should be supervised to ensure that they do not play with the appliance.
- The appliance is not intended for use by persons (including children) with reduced physical, sensory or mental capabilities, or lack of experience and knowledge, unless they have been given supervised or instruction concerning use of the appliance by a responsible person for their safety.
- Your cooker hood is for domestic use only, not suitable for barbecue, fast - food shops, and other commercial use.
- Any installation work must be carried out by a qualified electrician or competent person.
- The cooker hood and its filter mesh should be cleaned regularly in order to keep in good working order.
- Before cleaning, always ensure that you have switched your cooker hood off.
- Do not flambé under the range hood.
- Clean the cooker hood according to the instruction manual, and keep the cooker hood away from the danger of flames.
- If there is any fault with your cooker hood, please call the customer service number in the Warranty Card.
- Please keep the room adequately ventilated when your cooker hood and gas hob are working.
- Do not exhaust the gas from cooker hood through the same heated flue which is for the gas from gas hob and other kitchen appliances.
- Before installation and usage, read all the instructions and make sure that the voltage (V) and the frequency (Hz) indicated on your cooker hood are exactly the same as the voltage (V) and the frequency (Hz) in your home.
- To ensure that you get the best Warranty experience for your cooker hood, please provide copies of the Warranty Card and purchase receipt, when booking warranty work with the Customer Service department.
- The air must not be discharged into a flue that is used for exhausting fumes from appliances burning gas or other fuels (not applicable to appliances that only discharge the air back into the room).
- Warning: Failure to install the screws or fixing device in accordance with these instructions may result in electrical hazards.

1. INSTALLATION INSTRUCTIONS

There are two methods to install the cooker hood:

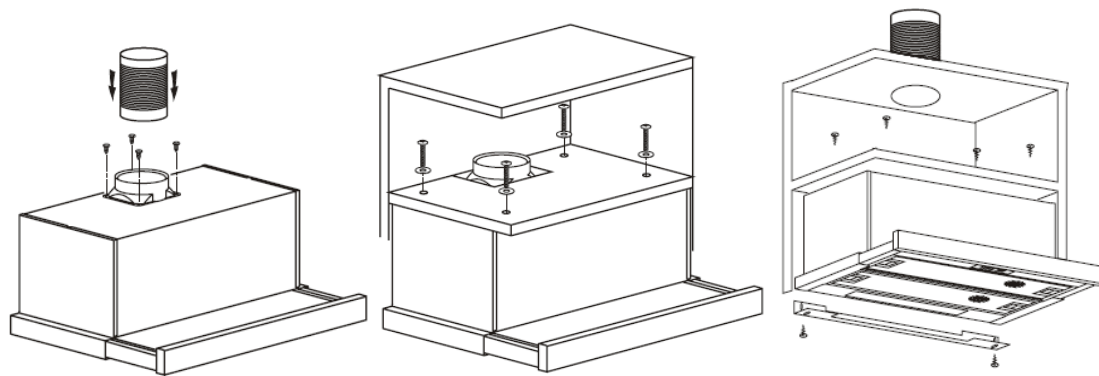
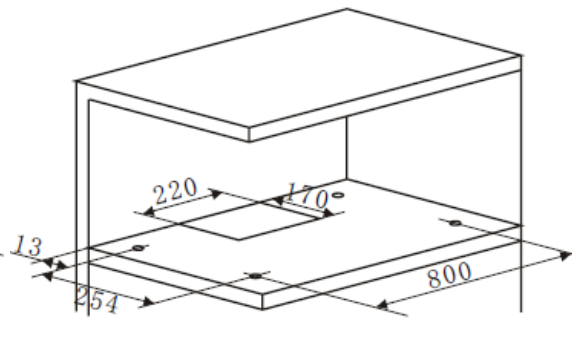
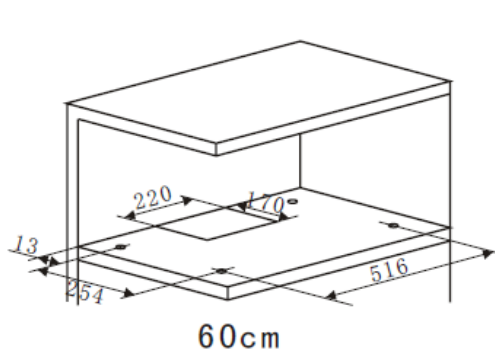
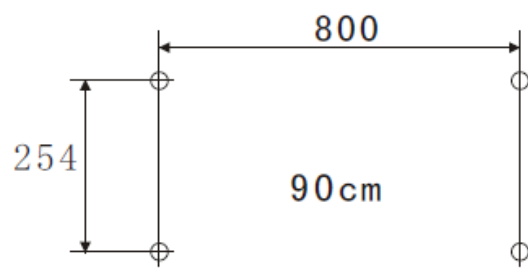
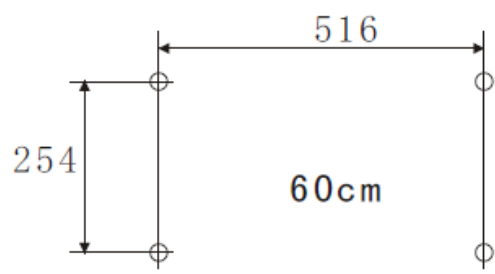
Method one: mounted on the wall:

- 1) The cooker hood should be placed at a distance of 65-75cm from the cooking surface for best effect.
- 2) To install onto the wall drill 4 holes of Ø8mm on a suitable place according with the centre distance of hole in the back of the cooker hood.
- 3) Insert the nut into the holes.
- 4) Insert the screws into the nuts and tight.
- 5) Put up the cooker hood onto the fixed screws.



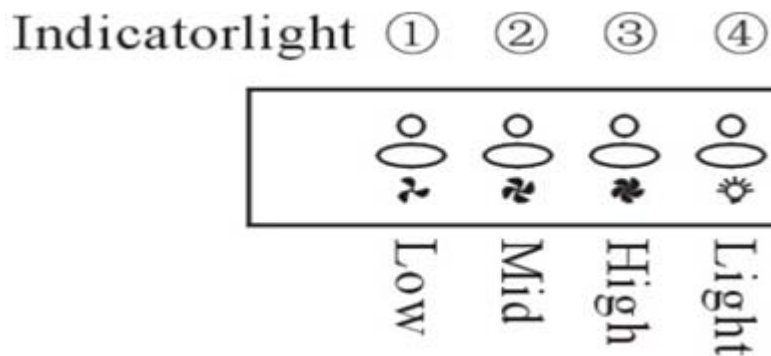
Method two: built-in the cabinet:

- 1) Drill 4 holes of 4mm diameter at the bottom of the hanging cupboard
- 2) Put the one way valve on the cooker hood, then install the cooker hood on the bottom of the cupboard, tighten the hood with the M4 screws.
- 3) Use two 3*12 screws to fix the adjusted board on the bottom of the hood in order to keep out the gap between hood back and cupboard.



2. OPERATION

- 1) Push the "Low" button, the indicating light 1 is on, and the motor runs at low speed. Push it again and the motor will stop.
- 2) Push the "Mid" button, the indicating light 2 is on, and the motor runs at mid speed. Push it again and the motor will stop.
- 3) Push the "High" button, the indicating light 3 on , and motor runs at high speed. Push it again and the motor will stop
- 4) Push the light button; the indicating light 4 on, and the two lighting lamps is on. Push it again and the lamps will be off.



3. USE AND MAINTENANCE

- 1) It is recommended to operate the appliance prior to cooking.
- 2) There shall be adequate ventilation of the room when the cooker hood is used at the same time as appliances burning gas or other fuels(not applicable to appliances that only discharge the air back into the room.
- 3) It is recommended to leave the appliance in operation for 15 minutes after cooking is terminated in order to completely eliminate cooking vapours and odours.
- 4) If the appliance is not used, please turn off.
- 5) Don't have flame under the cooker hood.
- 6) Don't use or stop use if the appliance is damaged especially the supply cord and the case.
- 7) If the supply cord is damaged, it must be replaced by the manufacturer, its service agent or similarly qualified persons in order to avoid a hazard.
- 8) Don't immerse the appliance in liquid.
- 9) The exhaust air must not be discharge into a flue which is used for exhausting fumes from appliance burning gas or other fuels.
- 10) Regulations concerning the discharge of air have to be fulfilled.
- 11) The details concerning the method and frequency of cleaning.
- 12) In order to prevent fire hazard, it is recommendable to clean the filter at a maximum of 2 months by carrying out the followings:
- 13) Unplug before cleaning, then remove the filters from the cooker hood and wash them in a solution of water and neutral liquid detergent, leaving to soak.
- 14) Rinse thoroughly with warm water and leave to dry.
- 15) The filters may also be washed in the dishwasher.
- 16) The aluminum panels may alter in color after several washes. This is not cause for customer complaint nor replacement of panels.
- 17) Clean the surface of the cooker hood regularly using cloth moistened with denatured alcohol of non abrasive liquid detergent. (Remark: There can not clear the motor and inside part.)
- 18) Replace filters approximately every 4 months.
- 19) There is a fire risk if cleaning is not carried out in accordance with the instruction.

4. SPECIFICATION

Voltage	220V-240V~/50Hz
Rated Input Power	305W
Rated motor input power	265W
Illumination	20W+20W (halogen lights)
Airflow	1000m ³ /hr
Noise	65dBA
Outlet diameter	150mm

