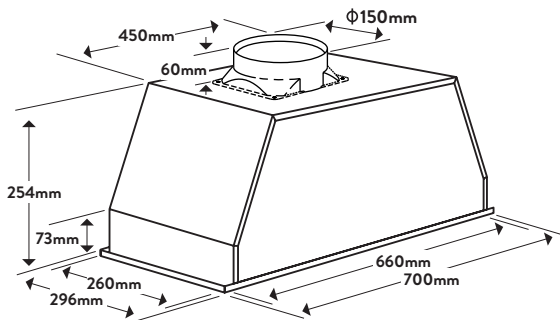




Dimensions/Weight

Overall Dimensions (mm): 254(h) x 700(w) x 296(d)
 (+60h for the Flue Connection)
 Chimney Height (mm): N/A
 Flue Diameter (mm): 150mm
 Weight: 8.5kg



Technical Details

Style

Rangehood Type: Undermount
 Category Size: 70cm

Functionality

Extraction Type: Ducted or Recirculating
 Extraction Rate: 820m³/hr Net
 Number of Motors: 1
 Watts of Motor: 266w
 Speeds: 3
 Filtration: 2 x Aluminium Removable & Washable Filters
 Lights: 2 x 40W Halogen
 dBA Rating: 51-66dBA

Accessories

Carbon Filter: Optional ALFL68A601C (Spare Part)

Installation

Maximum Current: 10amps 3 Pin Plug
 Connection: 240V, 50Hz
 Installation Type: Built Into Overhead Cabinetry
 Warranty: 24 Months Parts & Labour

Aesthetics

Finish: Stainless Steel
 Controls: Push Buttons

Key Features



High Air Extraction

Cooking three or four dishes at once on a cook top usually generates extra steam and smoke. So, if your favourite dishes rely on woks, pots and frying pans then you probably need a powerful Omega rangehood. One that clears the air quietly and efficiently. Look for a higher model number. That means it offer more powerful suction.

Customer Care

T: 1300 739 033 (AU) 09 415 6000 (NZ)
 E: customercare@omegaappliances.com.au customercare@monacocorp.co.nz