

Omega Rangehoods

ORC98G

Omega 90cm straight glass canopy rangehood with halogen lights, 780m³/hr maximum airflow and stainless steel and glass finish.

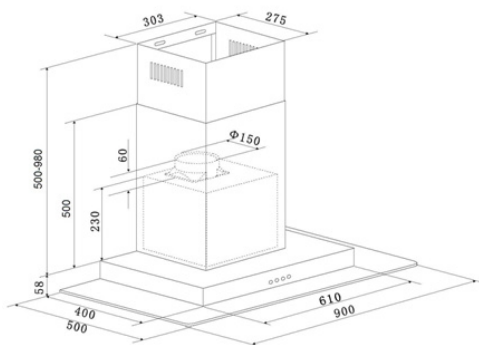


Technical details

Profile type:	Glass canopy
Size:	90cm
Installation type:	Wall mounted
Airflow:	780m ³ /hr
Number of motors:	1
Watts of motor:	265W
Speeds:	3
Carbon filter:	No
Filtration:	1 aluminium, removable and washable filters
Lighting:	2 x 20W halogen
Noise level (DB):	63dBA
Air extraction:	Ducted
Maximum current:	10amps 3 pin plug
Connection:	240V, 50Hz
Warranty:	24 months parts and labour

Aesthetics

Finish:	Stainless steel with straight glass
Front rail:	No
Extension flue:	No
Control type:	Backlit push buttons



Dimensions/weight

Overall dimensions (mm):	558h x 900w x 500d
Chimney height (mm):	1038mm fully extended
Flue diameter:	150mm
Net weight:	19kg



HIGH AIR FLOW

Key features	Benefits
High air flow	Omega high air extraction rangehoods typically draw more than 780m ³ of air per hour keeping your kitchen smoke free.
Stainless steel with straight glass	Stainless steel appliances are easy to clean, more durable and have increased longevity. This appliance looks aesthetically appealing with the straight glass finish.
1038mm fully extended	This appliance is great for tall cabinets and high ceilings.

NB: Drawings are not to scale - they are to assist only. WARNING: technical specifications and product sizes can be varied by the manufacturer without notice. Cut-outs for appliances should only be by physical product measurements. The above information is indicative only.