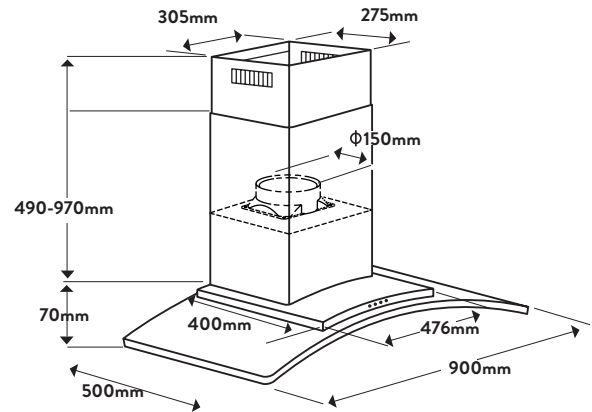




Dimensions/Weight

Overall Dimensions (mm):	1040(h) x 900(w) x 500(d)
Chimney Height (mm):	490 - 970
Duct Diameter (mm):	150mm
Weight:	16.2kg



Technical Details

Style

Rangehood Type:	Canopy
Category Size:	90cm

Functionality

Extraction Type:	Ducted or Recirculating
Extraction Rate:	852m ³ /hr Net 1000m ³ /hr Gross
Number of Motors:	1
Watts of Motor:	265w
Speeds:	3
Filtration:	1 x Aluminium Mesh
Lights:	2 x 1.5W LED
dBA Rating:	51-65dBA

Accessories

Charcoal Filter:	Optional ATCF260 (Spare Part)
------------------	----------------------------------

Installation

Maximum Current:	10amps 3 Pin Plug
Connection:	240V, 50Hz
Installation Type:	Wall Mounted
Warranty:	24 Months Parts & Labour

Aesthetics

Finish:	Stainless Steel and Curved Glass
Controls:	Backlit Push Buttons

Key Features



High Air Extraction

Cooking three or four dishes at once on a cook top usually generates extra steam and smoke. So, if your favourite dishes rely on woks, pots and frying pans then you probably need a powerful Omega rangehood. One that clears the air quietly and efficiently.



LED Light

LED lights use a small amount of energy, generate little heat and last a long time. Not only are they cost effective, they will ensure your cooktop is well lit.



Washable Filter

The removable, washable filter is easy to maintain and keep clean ensuring your rangehood always performs well.

Customer Care

T: 1300 739 033 (AU) 09 415 6000 (NZ)
E: customercare@omegaappliances.com.au customercare@monacocorp.co.nz

Updated 30/01/2020 - V1

NB: Drawings are not to scale - they are to assist only.
WARNING: technical specifications and product sizes can be varied by the manufacturer without notice. Cutouts for appliances should only be by physical product measurements. The above information is indicative only.