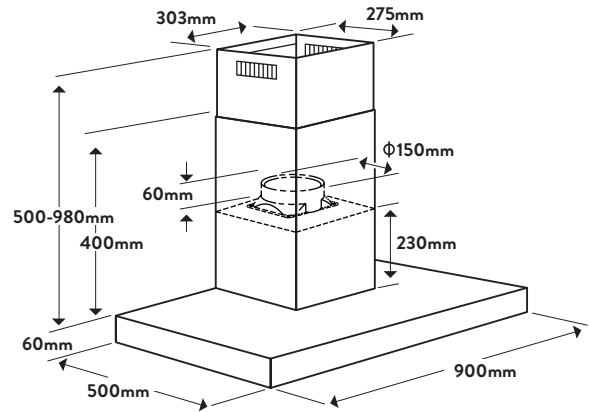




Dimensions/Weight

Overall Dimensions (mm): 1040(h) x 900(w) x 500(d)
 Chimney Height (mm): 500 - 980
 Duct Diameter (mm): 150mm
 Weight: 15kg



Technical Details

Style

Rangehood Type: Canopy
 Category Size: 90cm

Functionality

Extraction Type: Ducted or Recirculating
 Extraction Rate: 830m³/hr Net
 1000m³/hr Gross
 Number of Motors: 1
 Watts of Motor: 265w
 Speeds: 3
 Filtration: 3 x Aluminium Mesh
 Lights: 2 x 1.5W LED
 dBA Rating: 52-65dBA
 Timer: Yes - 5, 15 or 30min
 Clock: Yes

Accessories

Charcoal Filter: Optional ATCF260
 (Spare Part)

Installation

Maximum Current: 10amps 3 Pin Plug
 Connection: 240V, 50Hz
 Installation Type: Wall Mounted

Warranty: 24 Months Parts & Labour

Aesthetics

Finish: Stainless Steel and Black Glass
 Controls: Touch Controls

Key Features



High Air Extraction

Cooking three or four dishes at once on a cook top usually generates extra steam and smoke. So, if your favourite dishes rely on woks, pots and frying pans then you probably need a powerful Omega rangehood. One that clears the air quietly and efficiently.



LED Light

LED lights use a small amount of energy, generate little heat and last a long time. Not only are they cost effective, they will ensure your cooktop is well lit.



Washable Filter

The removable, washable filter is easy to maintain and keep clean ensuring your rangehood always performs well.

Customer Care

T: 1300 739 033 (AU) 09 415 6000 (NZ)
 E: customercare@omegaappliances.com.au customercare@monacocorp.co.nz

Updated 30/01/2020 - V1

NB: Drawings are not to scale - they are to assist only.
 WARNING: technical specifications and product sizes can be varied by the manufacturer without notice. Cutouts for appliances should only be by physical product measurements. The above information is indicative only.