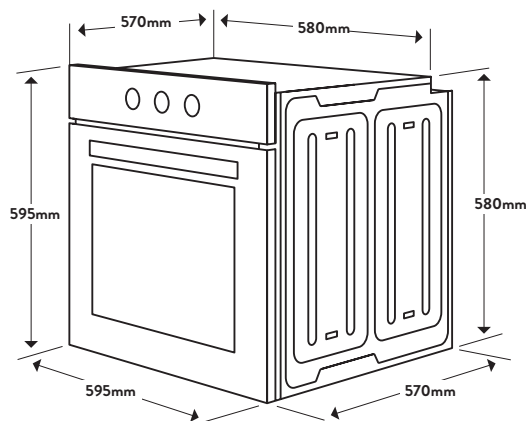




Dimensions/Weight

Overall Dimensions (mm): 595(h) x 595(w) x 570(d)
 Flush Mount Cut-Out (mm): 598(h) x 598(w)
 Proud Mount Cut-Out (mm): 580(h) x 580(w)
 Weight: 37kg



Technical Details

Style

Oven Type:	Standard
Category Size:	60cm
Capacity:	70 Litres

Functionality

Oven Functions:	Fan Forced Half Grill Grill Grill with Fan Assist
Max Cooking Temperature:	250°C
Clock:	No
Timer:	Semi-automatic
Number of Shelf Positions:	9
Light:	Yes

Features & Accessories

Accessories:	2 x Chrome Shelves 1 x Grill Pan 1 x Grill Insert
Easy View Door:	Yes

Installation

Maximum Current:	10amps
Connection:	240V, 50Hz
Installation Type:	Plug and Play

Made In:	Europe
Warranty:	24 Months Parts & Labour

Aesthetics

Finish:	Stainless Steel with Black Glass
Controls:	3 Knob Controls
Door:	Top Opening Double Glazed

Key Features

9 **Nine Racks**
 An upgrade on the usual 4 or 5 racks giving you maximum flexibility.

Plug & Play
 Designed with a 10amp plug so you can connect to a standard powerpoint.

Easy View
 Designed so you can see into the oven without opening the door through the largest and clearest oven window possible.

Customer Care

T: 1300 739 033 (AU) 09 415 6000 (NZ)
 E: customercare@omegappliances.com.au customercare@monacocorp.co.nz
 Updated 30/01/2020 - V1

NB: Drawings are not to scale - they are to assist only.
 WARNING: technical specifications and product sizes can be varied by the manufacturer without notice. Cutouts for appliances should only be by physical product measurements. The above information is indicative only.

