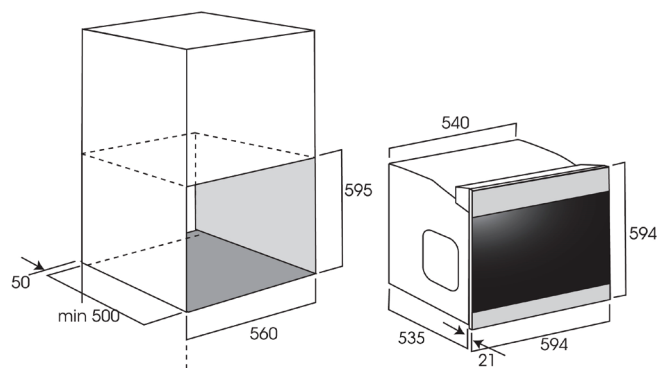


Omega 60cm 5 function electric oven with 5 rack/shelf positions, programmable timer and black glass and stainless steel finish.



Technical details

Oven type:	Standard	Rotisserie rack:	No
Oven category size:	60cm	Perforated tray:	No
Oven capacity:	58 litres	Cleaning function:	No
Timer function:	Touch control	Light:	Yes
	fully programmable	Installation type:	Hardwired
Number of shelves:	2 chrome wire	Maximum current:	15 amps
Number of shelf positions:	5	Connection:	240V, 50Hz
Easy view:	No	Warranty:	24 months parts and labour
Grill element:	Yes	Made in:	Italy
Bottom element:	No		
Fan element:	Yes	Aesthetics	
Rotisserie function:	No	Finish:	Stainless steel with black glass
Maximum cooking temperature:	250°C	Door type/glazing:	Top opening triple glazed
Baking tray:	No	Type of controls:	Knob controls and touch
Grill pan:	1	Number of controls:	2
Grill insert:	1		
Grill handle:	1		
Telescopic runners:	No		



Dimensions/weight

Dimensions of the product (mm):	594h x 594w x 535d
Dimensions of the flush mount cut-out (mm):	597h x 598w
Dimensions of the proud mount cut-out (mm):	580h x 580w
Weight (kg):	37kg



Key features	Benefits
Safe touch	This oven has 3 layers of glass resulting in the door being safe to touch. This makes it safe for big and little hands.
4 chicken capacity	Four chickens can easily fit into this 60cm oven at once.
Made in Italy	This appliance was made in Italy, we use Italian designers and manufacturers to ensure our products have the most fashionable appearance and finest quality.

NB: Drawings are not to scale - they are to assist only. WARNING: technical specifications and product sizes can be varied by the manufacturer without notice. Cut-outs for appliances should only be by physical product measurements. The above information is indicative only.