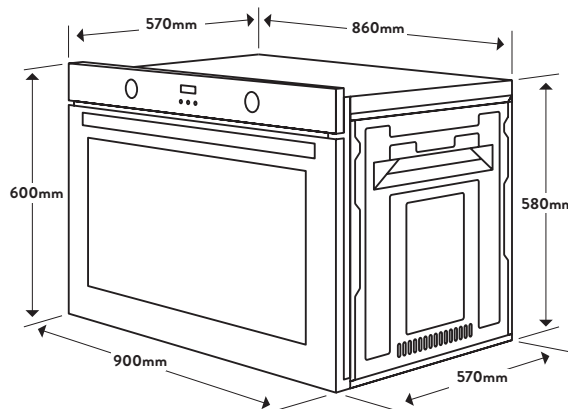




### Dimensions/Weight

Overall Dimensions (mm): 595(h) x 898(w) x 570(d)  
 Flush Mount Cut-Out (mm): 600(h) x 900(w)  
 Proud Mount Cut-Out (mm): 580(h) x 860(w)



### Technical Details

#### Style

Oven Type:	Standard
Category Size:	90cm
Capacity:	129 Litres

#### Functionality

Oven Functions:	Fan Forced Half Grill Grill Grill with Fan Assist
Max Cooking Temperature:	250°C
Clock:	Yes
Timer:	Fully Programmable
Number of Shelf Positions:	4
Interior Light:	Yes

#### Features & Accessories

Accessories:	1 x Wire Shelf 1 x Shallow Baking Tray
Easy View Door:	Yes

#### Installation

Maximum Current:	15amps
Connection:	220-240V, 50Hz
Installation Type:	Hardwired; Built-in, Under Bench or Wall Mounted

Made In:	Europe
Warranty:	24 Months Parts & Labour

### Aesthetics

Finish:	Stainless Steel with Black Glass
Controls:	2 Knob Controls & Touch Controls
Door:	Top Opening Triple Glazed

### Key Features



#### Easy View

Designed so you can see into the oven without opening the door through the largest and clearest oven window possible.



#### Multifunction

This oven has a bottom, top and main element for more versatility and allows for better results in difficult dishes such as pastries, pies and pizzas.



#### Made in EU

Built to the highest quality and standards, made in Europe is the benchmark.

### Customer Care

T: 1300 739 033 (AU) 09 415 6000 (NZ)  
 E: [customercare@omegaappliances.com.au](mailto:customercare@omegaappliances.com.au) [customercare@monacocorp.co.nz](mailto:customercare@monacocorp.co.nz)

Updated 30/01/2020 - V1

NB: Drawings are not to scale - they are to assist only.  
 WARNING: technical specifications and product sizes can be varied by the manufacturer without notice. Cutouts for appliances should only be by physical product measurements. The above information is indicative only.

