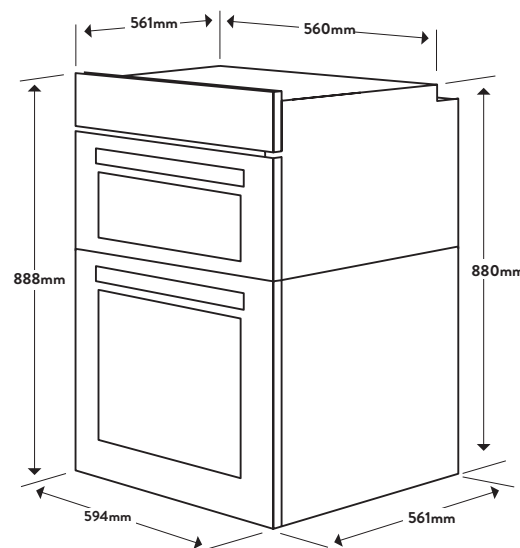




Dimensions/Weight

Overall Dimensions (mm):	888(h) x 594(w) x 561(d)
Flush Mount Cut-Out (mm):	889(h) x 597(w)
Proud Mount Cut-Out (mm):	880(h) x 560(w)
Weight:	64kg



Technical Details

Style

Oven Type:	Double
Category Size:	60cm
Capacity:	91 Litres (58L Bottom, 33L Top)

Functionality

Oven Functions Top:	Grill, Convection Bottom Element, Light
Oven Functions Bottom:	Fan Forced, Fan Grill Grill, Half Grill, Convection Fan Assist, Fan Forced Plus Bottom Element, Light
Max Cooking Temperature:	250°C
Clock:	Yes Fully Programmable
Number of Shelf Positions:	5 Bottom, 3 Top
Interior Light:	Yes

Features & Accessories

Accessories:	1 x Baking Tray 1 x Grill Pan 1 x Grill Insert 2 x Telescopic Runners (1 Top & 1 Bottom) Catalytic Liners (Top - Side & Bottom - Side & Rear)
Easy View Door:	Yes

Installation

Maximum Current:	24amps
Connection:	240V, 50Hz
Installation Type:	Hardwired; Built-in, or Wall Mounted
Made In:	Italy
Warranty:	24 Months Parts & Labour

Aesthetics

Finish:	Stainless Steel with Black Glass
Controls:	4 Knob Controls & Touch Controls
Door:	Triple Glazed Bottom Oven Double Glazed Top Oven

Key Features



Multifunction

This oven has a bottom, top and main element for more versatility and allows for better results in difficult dishes such as pastries, pies and pizzas.



Made in Italy

Built to the highest quality and standards, made in Europe is the benchmark.

Customer Care

T: 1300 739 033 (AU) 09 415 6000 (NZ)
E: customercare@omegaappliances.com.au customercare@monacocorp.co.nz

Updated 27/01/2020 - V1

NB: Drawings are not to scale - they are to assist only.
WARNING: technical specifications and product sizes can be varied by the manufacturer without notice. Cutouts for appliances should only be by physical product measurements. The above information is indicative only.