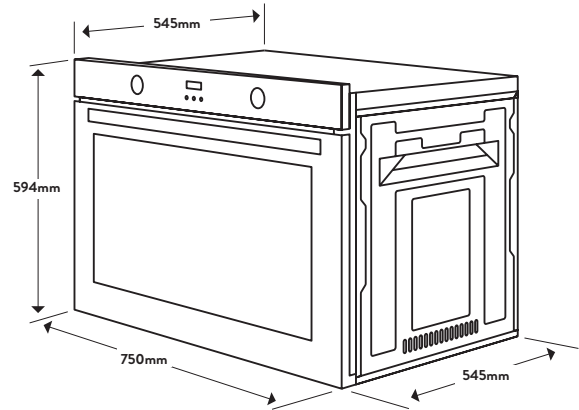




Dimensions/Weight

Overall Dimensions (mm): 594(h) x 750(w) x 545(d)
 Flush Mount Cut-Out (mm): 598(h) x 753(w)
 Proud Mount Cut-Out (mm): 570(h) x 712(w)
 Weight: 55kg



Technical Details

Style

Oven Type: Standard
 Category Size: 75cm
 Capacity: 84 Litres

Functionality

Oven Functions: Fan Forced
 Grill
 Grill with Fan Assist
 Conventional
 Conventional + Fan Assist
 Light
 Bottom Element + Fan Assist
 Max Cooking Temperature: 250°C
 Clock: Digital
 Timer: Fully programmable
 Number of Shelf Positions: 9
 Interior Light: Yes

Features & Accessories

Accessories: 2 x Chrome Wire Shelves
 1 x Baking Tray
 1 x Grill Pan
 1 x Grill Handle
 1 x Grill Insert
 Easy View Door: Yes

Installation

Maximum Current: 15amps
 Connection: 240V, 50Hz
 Installation Type: Hardwired; Built-in, Under Bench or Wall Mounted
 Made In: Italy
 Warranty: 24 Months Parts & Labour

Customer Care

T: 1300 739 033 (AU) 09 415 6000 (NZ)
 E: customercare@omegaappliances.com.au customercare@monacocorp.co.nz
 Updated 30/01/2020 - V1

Aesthetics

Finish: Stainless Steel with Black Glass
 Controls: 2 Knob Controls & Touch Controls
 Door: Top Opening Double Glazed

Key Features



Made in Italy

Built to the highest quality and standards, made in Europe is the benchmark.



Multifunction

This oven has a bottom, top and main element for more versatility and allows for better results in difficult dishes such as pastries, pies and pizzas.



Easy View

Designed so you can see into the oven without opening the door through the largest and clearest oven window possible.

NB: Drawings are not to scale - they are to assist only.
 WARNING: technical specifications and product sizes can be varied by the manufacturer without notice. Cutouts for appliances should only be by physical product measurements. The above information is indicative only.