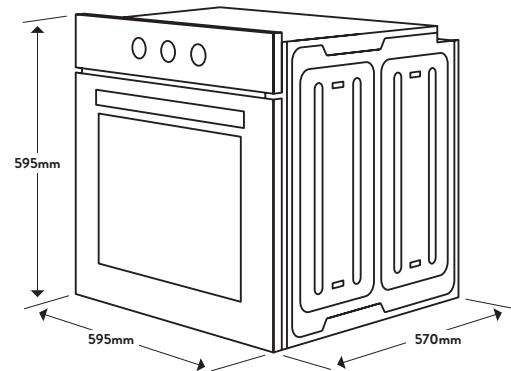




## Dimensions/Weight

Overall Dimensions (mm):	595(h) x 595(w) x 570(d)
Flush Mount Cut-Out (mm):	598(h) x 598(w)
Proud Mount Cut-Out (mm):	580(h) x 580(w)
Weight:	39kg



## Technical Details

### Style

Oven Type:	Standard
Category Size:	60cm
Capacity:	90 Litres

### Functionality

Oven Functions:	Fan Forced Half Grill Grill Defrost Conventional Conventional + Fan Assist
Max Cooking Temperature:	250°C
Clock:	Yes
Timer:	Fully Programmable
Number of Shelf Positions:	12
Light:	Yes

### Features & Accessories

Accessories:	1 x Chrome Wire Shelf 1 x Shallow Baking Tray with Grill Insert 1 x 80mm Deep Baking Dish
Easy View Door:	Yes

### Installation

Maximum Current:	15amps
Connection:	240V, 50Hz
Installation Type:	Hardwired; Built-in, Under Bench or Wall Mounted

Made In:	Europe
Warranty:	24 Months Parts & Labour

## Customer Care

T: 1300 739 033 (AU) 09 415 6000 (NZ)  
E: [customercare@omegaappliances.com.au](mailto:customercare@omegaappliances.com.au) [customercare@monacocorp.co.nz](mailto:customercare@monacocorp.co.nz)

Updated 30/01/2020 - V1

## Aesthetics


Finish:	Stainless Steel with Black Glass
Controls:	2 Knob Controls & Touch Controls
Door:	Top Opening Double Glazed

## Key Features

- 90L

**90L Capacity**  


---

 More oven capacity to suit the largest of families.
- 

**Multifunction**  


---

 This oven has a bottom, top and main element for more versatility and allows for better results in difficult dishes such as pastries, pies and pizzas.
- EUR

**Made in EU**  


---

 Built to the highest quality and standards, made in Europe is the benchmark.

NB: Drawings are not to scale - they are to assist only.  
WARNING: technical specifications and product sizes can be varied by the manufacturer without notice. Cutouts for appliances should only be by physical product measurements. The above information is indicative only.