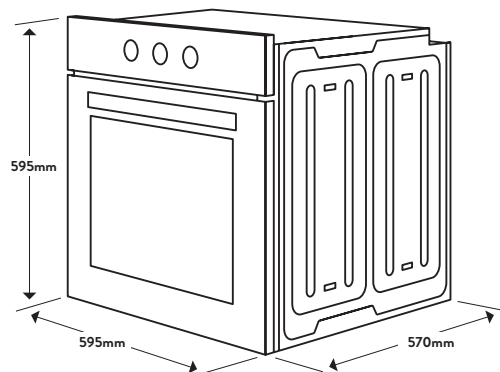




Dimensions/Weight

Overall Dimensions (mm): 595(h) x 595(w) x 570(d)
 Flush Mount Cut-Out (mm): 598(h) x 598(w)
 Proud Mount Cut-Out (mm): 580(h) x 580(w)
 Weight: 39kg



Technical Details

Style

Oven Type: Standard
 Category Size: 60cm
 Capacity: 90 Litres

Functionality

Oven Functions: Fan Forced
 Defrost
 Grill
 Grill with Fan Assist
 Max Cooking Temperature: 250°C
 Clock: No
 Timer: Mechanical
 Number of Shelf Positions: 12
 Light: Yes

Features & Accessories

Accessories: 1 x Chrome Wire Shelf
 1 x Shallow Baking Tray with Grill Insert
 1 x 80mm Deep Baking Tray
 Easy View Door: Yes

Installation

Maximum Current: 10amps
 Connection: 240V, 50Hz
 Installation Type: Plug and Play; Built-in, Under Bench or Wall Mounted

Made In: Europe
 Warranty: 24 Months Parts & Labour

Updated 27/01/2020 - V1

Customer Care

T: 1300 739 033 (AU)
 E: customer care@omegaaappliances.com.au

09 415 6000 (NZ)
customer care@monacocorp.co.nz

Aesthetics

Finish: Stainless Steel with Black Glass
 Controls: 3 Knob Controls
 Door: Top Opening Double Glazed

Key Features

12

Twelve Racks

An upgrade on the usual 4 or 5 racks giving you maximum flexibility.



Plug and Play

Designed with a 10amp plug so you can connect to a standard powerpoint.

EUR

Made in EU

Built to the highest quality and standards, made in Europe is the benchmark.

NB: Drawings are not to scale - they are to assist only.

WARNING: technical specifications and product sizes can be varied by the manufacturer without notice. Cutouts for appliances should only be by physical product measurements. The above information is indicative only.