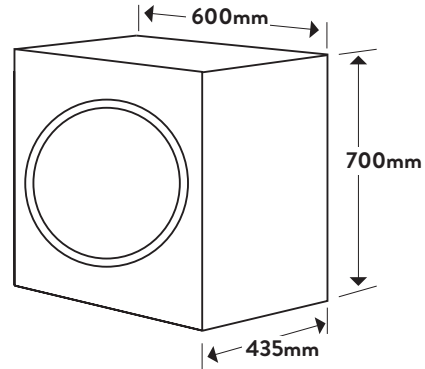




Dimensions/Weight

Overall Dimensions (mm): 700(h) x 600(w) x 435(d)
Weight: 20kg



Technical Details

Style

Dryer Type: Vented
Capacity: 4.5kg

Functionality

Heat Settings: High Heat/Low Heat
Drum Rotation: One Way
Timer Temperatures (°C):
Cool 0 - 20
Warm 20 - 120
Hot 120 - 200
Air Dry 0 - 80
Motor: 65W
Rated Power Input: 1450W
Energy Rating: 2 Stars

Accessories:

Wall Mounting Kit: Included
Reverse Control Panel: Included
Ducting: Outlet connection supplied

Installation

Installation Style: Freestanding or Wall Mounted
Maximum Current: 10amp/3 Pin Plug
Connection: 240V, 50Hz
Warranty: 24 Months Parts and Labour

Aesthetics

Finish: White Enamel
Controls: Rotary Control Knobs and Buttons

Key Features



Wall Mountable

This appliance can be wall mounted to eliminate wasted space in small areas or placed on a flat surface and used as a freestander.

Customer Care

T: 1300 739 033 (AU) 09 415 6000 (NZ)
E: customer care@omegaappliances.com.au customer care@monacocorp.co.nz

Updated 30/01/2020 - V1

NB: Drawings are not to scale - they are to assist only.
WARNING: technical specifications and product sizes can be varied by the manufacturer without notice. Cutouts for appliances should only be by physical product measurements. The above information is indicative only.