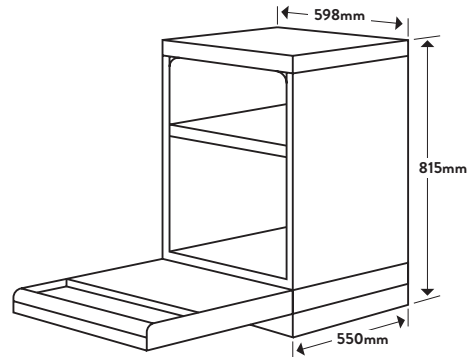




Dimensions/Weight

Overall Dimensions (mm): 815(h) x 598(w) x 550(d)
Weight: 43kg



Technical Details

Style

Oven Type: Built-in
Category Size: 60cm

Functionality

Place Settings: 14
Wash Programs: Intensive
Heavy
Normal
Glass
60 min
Quick
Water Rating: 4.5 Stars
Energy Rating: 3.5 Stars
Wash Temperatures (°C): 4 - 40, 50, 55 and 65°C
Maximum Water Temperature (°C): 60°C
Floating Plug: Yes
Lockable Controls: No
Delayed Start: Yes (3, 6 and 9 Hours)
Dual Zone: No
AquaStop Safety Hose: No
Flexible Top Basket: Yes
Cutlery Tray: Yes
Half Load: Yes
Plate Sizes Allowed: Up to 30cm
Residual Heat Drying: Yes

Installation

Maximum Current: 10amps
Connection: 240V, 50Hz
Water Connection: Cold Water Recommended
Length of Hose: 2.0m
Water Pressure: 40 - 1000kpa
Noise: 49dBA
Warranty: 24 Months Parts and Labour

Customer Care

T: 1300 739 033 (AU) 09 415 6000 (NZ)
E: customercare@omegaappliances.com.au customercare@monacocorp.co.nz
Updated 30/01/2020 - V1

Aesthetics

Finish: Supplied Without a Decorative Door
Controls: Electronic Controls Hidden in the Top of the Door

Key Features



Half Load

Gives you the flexibility to load your items top or bottom and wash one part only, saving you water and energy.



Cutlery Tray

Keep your all cutlery neat and tidy during a wash cycle with a hardy tray.



Flexible Basket

Every load is different. That's why we've designed a Flexible Basket option which allows you to adapt the interior and fit cutlery of all shapes and sizes - anywhere. Simply click the side levers on the top basket to lower it to accommodate things like tall glasses. Or, raise it to allow maximum space for frying pans or serving plates on the bottom drawer.

NB: Drawings are not to scale - they are to assist only.
WARNING: technical specifications and product sizes can be varied by the manufacturer without notice. Cutouts for appliances should only be by physical product measurements. The above information is indicative only.