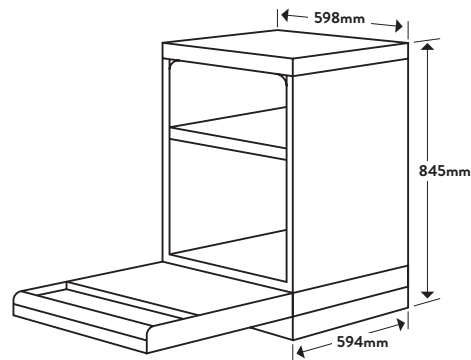




Dimensions/Weight

Overall Dimensions (mm): 845(h) x 598(w) x 594(d)
Weight: 47kg



Technical Details

Style

Oven Type: Freestanding
Category Size: 60cm

Functionality

Place Settings: 12
Wash Programs: Intensive
Heavy
Normal
90 mins
Rapid
Prewash
Water Rating: 4.5 Stars
Energy Rating: 3 Stars
Wash Temperatures (°C): 4 - 40, 55, 60 and 65°C
Maximum Water Temperature (°C): 65°C
Floating Plug: Yes
Lockable Controls: Yes
Delayed Start: Yes up to 24 hours
Dual Zone: No
AquaStop Safety Hose: No
Flexible Top Basket: Yes
Cutlery Tray: No
Plate Sizes Allowed: Up to 30cm
Residual Heat Drying: Yes

Installation

Maximum Current: 10amps
Connection: 240V, 50Hz
Water Connection: Cold Water Recommended
Length of hose: 1.5m
Water Pressure: 40 - 1000kpa
Noise: 47dBA
Warranty: 24 Months Parts and Labour

Customer Care

T: 1300 739 033 (AU) 09 415 6000 (NZ)
E: customercare@omegaappliances.com.au customercare@monacocorp.co.nz

Updated 30/01/2020 - V1

Aesthetics

Finish: White
Controls: Electronic Controls with LED Display

Key Features



Flexible Basket

Every load is different. That's why we've designed a Flexible Basket option which allows you to adapt the interior and fit cutlery of all shapes and sizes - anywhere. Simply click the side levers on the top basket to lower it to accommodate things like tall glasses. Or, raise it to allow maximum space for frying pans or serving plates on the bottom drawer.



Child Lock

Allows you to lock the control panel to ensure little hands don't cause big accidents.



Delay Start

Ovens with this feature use extreme internal heat to turn any grease and food residue into ash that can simply be wiped away.

NB: Drawings are not to scale - they are to assist only.
WARNING: technical specifications and product sizes can be varied by the manufacturer without notice. Cutouts for appliances should only be by physical product measurements. The above information is indicative only.