

Omega 60cm 4 burner gas cooktop with cast iron trivets, flame failure and stainless steel finish.



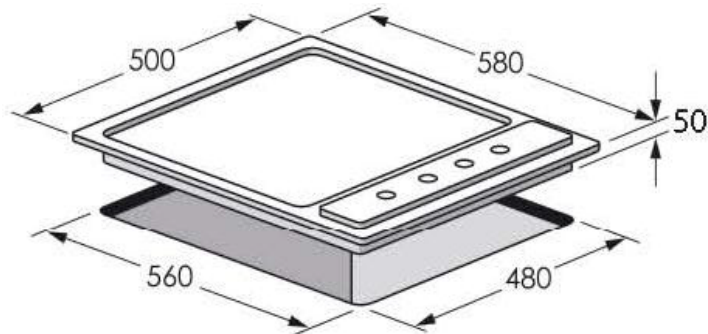
Technical details

Type of cooktop:	Gas
Ignition:	Electronic
Burners:	4
Gas type (natural/ULPG):	Natural/ULPG
ULPG adaptable:	Yes, kit supplied
Flame failure device:	Yes
Wok burner:	Yes
Fish burner:	No
Total power rating:	30.2 mj/hr over four burners
Power:	Front left wok: 13.8 mj/hr Front right: 3.8 mj/hr Rear: 2 x 6.3 mj/hr
Maximum current:	10 amps
Connection:	240V, 50Hz
Installation type:	Flex and plug
Warranty:	24 months parts and labour
Made in:	Italy

Aesthetics

Finish:	Stainless steel
Type of controls:	Knob
Number of controls:	4
Location of controls:	Right side
Material of trivets:	Cast iron trivets and burner caps

* Gas connection point is located rear right



Dimensions/weight

Overall dimensions (mm):	50h x 580w x 500d
Cut-out dimensions (mm):	560w x 480d



FLAME FAILURE



CAST IRON TRIVETS



WOK BURNER



MADE IN ITALY

Key features	Benefits
Made in Italy	This appliance was made in Italy, we use Italian designers and manufacturers to ensure our products have the most fashionable appearance and are made with the finest quality.
Flame failure	A flame failure device ensures gas cannot flow from the cooktop when no flame is present. No flame = no gas flow = a safer home.
Cast iron trivets	Cast iron are heavier and more durable than typical enamel coated trivets. This results in a more stable cooking surface and less chance of damage to the cooktop.

NB: Drawings are not to scale - they are to assist only, WARNING: technical specifications and product sizes can be varied by the manufacturer without notice. Cut-outs for appliances should only be by physical product measurements. The above information is indicative only.