

Omega 60cm 4 burner gas cooktop with enamel trivets, flame failure and a stainless steel finish.



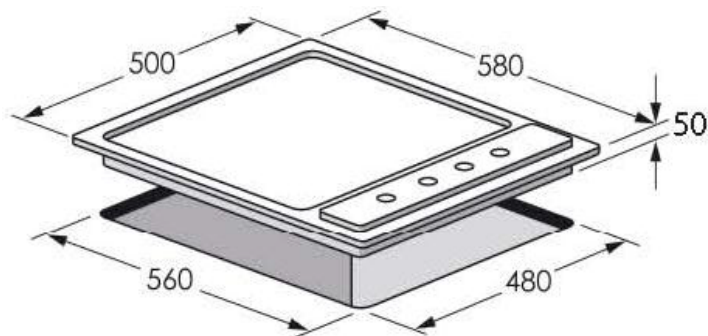
### Technical details

|                          |   |
|--------------------------|---|
| Type of cooktop:         | Gas   |
| Ignition:                | Electronic  |
| Burners:                 | 4   |
| Gas type (natural/ULPG): | Natural/ULPG  |
| ULPG adaptable:          | Yes, kit supplied   |
| Flame failure device:    | Yes   |
| Wok burner:              | Yes   |
| Fish burner:             | No  |
| Total power rating:      | 30.2 mj/hr over four burners  |
| Power:                   | Front left wok: 13.8 mj/hr<br>Front right: 3.8 mj/hr<br>Rear: 2 x 6.3 mj/hr |
| Maximum current:         | 10 amps   |
| Connection:              | 240V, 50Hz  |
| Installation type:       | Flex and plug   |
| Warranty:                | 24 months parts and labour  |
| Made in:                 | Italy   |

### Aesthetics

|                       |                                      |
|-----------------------|--------------------------------------|
| Finish:               | Stainless steel                      |
| Type of controls:     | Knob                                 |
| Number of controls:   | 4                                    |
| Location of controls: | Right side                           |
| Material of trivets:  | Black enamel trivets and burner caps |

\* Gas connection point is located rear right



### Dimensions/weight

|                          |                   |
|--------------------------|-------------------|
| Overall dimensions (mm): | 50h x 580w x 500d |
| Cut-out dimensions (mm): | 560w x 480d       |



FLAME FAILURE



WOK BURNER



MADE IN ITALY

| Key features                | Benefits  |
|-----------------------------|---|
| <b>Made in Italy</b>        | This appliance was made in Italy, we use Italian designers and manufacturers to ensure our products have the most fashionable appearance and are made with the finest quality.                  |
| <b>Wok burner</b>           | Wok burners provide high heat that is needed for effective wok cooking. Not only is it suitable for Asian cuisines its also a powerful gas burner perfect for accelerating the cooking process. |
| <b>Flame failure device</b> | A flame failure device ensures gas cannot flow from the cooktop when no flame is present. No flame = no gas flow = a safer home.  |

NB: Drawings are not to scale - they are to assist only. WARNING: technical specifications and product sizes can be varied by the manufacturer without notice. Cut-outs for appliances should only be by physical product measurements. The above information is indicative only.