

# Omega Cooktops

OCG905FX  
Commercial Exclusive

Omega 90cm 5 burner gas cooktop with cast iron trivets, flame failure, electronic ignition and stainless steel finish.



## Technical details

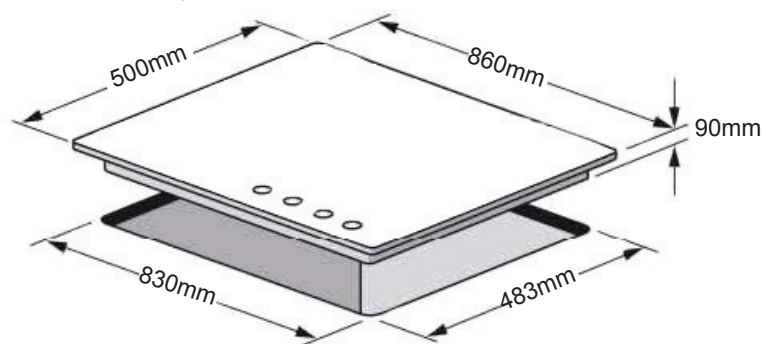
Type of cooktop: Gas  
 Ignition: Electric  
 Burners: 5  
 Gas type (natural/ULPG): Natural/ULPG  
 ULPG adaptable: Yes, kit supplied  
 Flame failure device: Yes  
 Wok burner: Yes - centre  
 Fish burner: No  
 Total power rating: 39 mj/hr over five burners  
 Power: Front left: 4mj/hr  
 Front right: 6mj/hr  
 Rear left: 6mj/hr  
 Rear right: 10mj/hr  
 Centre: 13mj/hr

Maximum current: 10 amps  
 Connection: 220-240V, 50Hz  
 Installation: Flex and plug  
 Warranty: 24 months parts and labour

## Aesthetics

Finish: Stainless steel  
 Type of controls: Knob  
 Number of controls: 5  
 Location of controls: Front centre  
 Material of trivets: Cast iron trivets and burner caps

\* Gas connection point is located rear left



## Dimensions/weight

Overall dimensions (mm): 860w x 500d x 90h (to top of trivets)  
 Cut-out dimensions (mm): 830w x 483d



FLAME FAILURE



CAST IRON TRIVETS



WOK BURNER

Key features	Benefits
<b>Flame failure</b>	A flame failure device ensures gas cannot flow from the cooktop when no flame is present. No flame = no gas flow = a safer home.
<b>Cast iron trivets</b>	Cast iron trivets are heavier and more durable than typical enamel coated trivets. This results in a more stable cooking surface and less chance of damage to the cooktop.
<b>Wok burner</b>	Wok burners provide high heat that is needed for effective wok cooking. Not only is it suitable for Asian cuisines it is also a powerful gas burner perfect for accelerating the cooking process.

NB: Drawings are not to scale - they are to assist only. WARNING: technical specifications and product sizes can be varied by the manufacturer without notice. Cut-outs for appliances should only be by physical product measurements. The above information is indicative only.