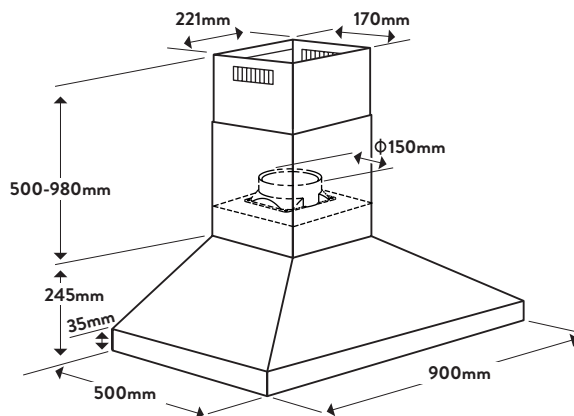




## Dimensions/Weight

Overall Dimensions (mm):	1225(max h) x 900(w) x 500(d)
Chimney Height (mm):	500 - 980
Duct Diameter (mm):	150mm
Weight:	9kg



## Technical Details

### Style

Rangehood Type:	Canopy
Category Size:	90cm

### Functionality

Extraction Type:	Ducted or Recirculating
Extraction Rate:	730m <sup>3</sup> /hr Net 1000m <sup>3</sup> /hr Gross
Number of Motors:	1
Watts of Motor:	190w
Speeds:	3
Filtration:	3 x Aluminium Mesh
Lights:	2 x 20W Halogen
dBA Rating:	57.3dBA

### Accessories

Charcoal Filter:	Included (ORCF110)
Chimney Extension:	Optional OREF782A

### Installation

Maximum Current:	10amps 3 Pin Plug
Connection:	220 - 240V, 50Hz
Installation Type	Wall Mounted
Warranty:	24 Months Parts & Labour

## Aesthetics

Finish:	Brushed Stainless Steel
Controls:	Push Buttons

## Key Features



### Charcoal Filters

Charcoal filters do a superior job of cleaning the air before it re-enters the kitchen, ensuring your kitchen will be smelling fresh.

## Customer Care

T: 1300 739 033 (AU)      09 415 6000 (NZ)  
E: [customercare@omegaplumbing.com.au](mailto:customercare@omegaplumbing.com.au)      [customercare@monacocorp.co.nz](mailto:customercare@monacocorp.co.nz)

Updated 30/01/2020 - V1

NB: Drawings are not to scale - they are to assist only.  
WARNING: technical specifications and product sizes can be varied by the manufacturer without notice. Cutouts for appliances should only be by physical product measurements. The above information is indicative only.