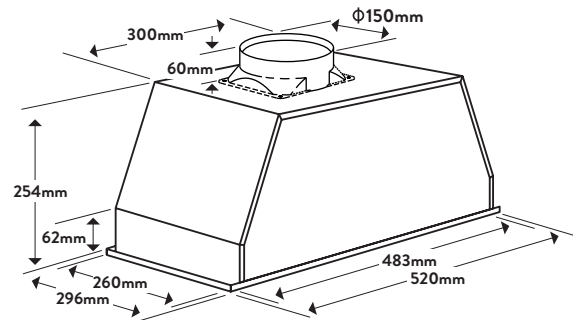




Dimensions/Weight

Overall Dimensions (mm): 254(h) x 520(w) x 296(d)
Duct Diameter (mm): 150mm
Weight: 7kg



Technical Details

Style

Rangehood Type: Undermount
Category Size: 52cm

Functionality

Extraction Type: Ducted or Recirculating
Extraction Rate: 612m³/hr Net
700m³/hr Gross
Number of Motors: 1
Watts of Motor: 190w
Speeds: 3
Filtration: 1 x Aluminium Mesh
Lights: 2 x 40W Halogen
dBA Rating: 51-58dBA

Accessories

Charcoal Filter: Optional (ORCF110)

Installation

Maximum Current: 10amps 3 Pin Plug
Connection: 240V, 50Hz
Installation Type: Built Into Overhead Cabinetry

Warranty: 24 Months Parts & Labour

Aesthetics

Finish: Stainless Steel
Controls: Push Buttons

Key Features



Concealed Design

This rangehood will be concealed and look streamline under cupboards, perfect for smaller kitchens.

Customer Care

T: 1300 739 033 (AU)

E: customercare@omegaappliances.com.au

09 415 6000 (NZ)

customercare@monacocorp.co.nz

Updated 30/01/2020 - V1

NB: Drawings are not to scale - they are to assist only.

WARNING: technical specifications and product sizes can be varied by the manufacturer without notice. Cutouts for appliances should only be by physical product measurements. The above information is indicative only.