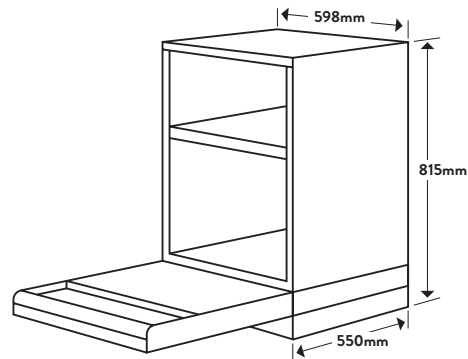




## Dimensions/Weight

Overall Dimensions (mm): 815(h) x 598(w) x 550(d)  
Weight: 43kg



## Technical Details

### Style

Dishwasher Type: Fully Integrated  
Category Size: 60cm

### Functionality

Place Settings: 14  
Wash Programs: Intensive  
Heavy  
Normal  
Glass  
60 min  
Quick  
Water Rating: 4.5 Stars  
Energy Rating: 3.5 Stars  
Wash Temperatures (°C): 4 - 40, 50, 55 and 65°C  
Maximum Water Temperature (°C): 60°C  
Floating Plug: Yes  
Lockable Controls: No  
Delayed Start: Yes (3, 6 and 9 Hours)  
Dual Zone: No  
AquaStop Safety Hose: No  
Flexible Top Basket: Yes  
Cutlery Tray: Yes  
Half Load: Yes  
Allowable Plate Size: Up to 30cm  
Residual Heat Drying: Yes

### Installation

Maximum Current: 10amps  
Connection: 240V, 50Hz  
Water Connection: Cold Water Recommended  
Length of Hose: 2.0m  
Water Pressure: 40 - 1000kpa  
Noise: 49dBA  
Warranty: 24 Months Parts and Labour

## Customer Care

T: 1300 739 033 (AU) 09 415 6000 (NZ)  
E: [customercare@omegappliances.com.au](mailto:customercare@omegappliances.com.au) [customercare@monacocorp.co.nz](mailto:customercare@monacocorp.co.nz)

Updated 30/01/2020 - V1

## Aesthetics

Finish: Supplied Without a Decorative Door  
Controls: Electronic Controls Hidden in the Top of the Door

## Key Features



### Half Load

Half Load is for a reduced load using less energy and water.



### Cutlery Tray

Keep your all cutlery neat and tidy during a wash cycle with a hardy tray.



### Flexible Basket

Every load is different. That's why we've designed a Flexible Basket option which allows you to adapt the interior and fit dishes of all shapes and sizes - anywhere. Simply click the side levers on the top basket to lower it to accommodate things like tall glasses. Or, raise it to allow maximum space for frying pans or serving plates on the bottom drawer.

NB: Drawings are not to scale - they are to assist only.  
WARNING: technical specifications and product sizes can be varied by the manufacturer without notice. Cutouts for appliances should only be by physical product measurements. The above information is indicative only.