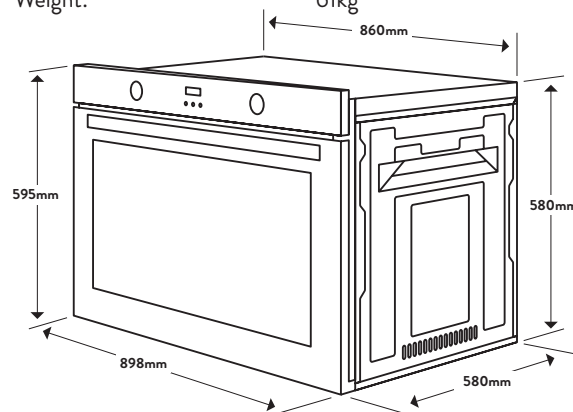




## Dimensions/Weight

Overall Dimensions (mm): 595(h) x 898(w) x 580(d)  
 Flush Mount Cut-Out (mm): 600(h) x 900(w)  
 Proud Mount Cut-Out (mm): 580(h) x 860(w)  
 Weight: 61kg



## Technical Details

### Style

Oven Type: Standard  
 Category Size: 90cm  
 Capacity: 129 Litres

### Functionality

Oven Functions: Fan Forced  
 Grill  
 Light  
 Conventional  
 Top Element  
 Conventional + Fan Assist  
 Defrost  
 Grill with Fan Assist  
 Steam Clean  
 Max Cooking Temperature: 250°C  
 Clock: Yes  
 Timer: Fully Programmable  
 Number of Shelf Positions: 4  
 Interior Light: Yes

### Features & Accessories

Accessories: 1 x Wire Shelf  
 1 x Shallow Baking Tray with Grill Insert  
 Easy View Door: Yes

### Installation

Maximum Current: 15amps  
 Connection: 220-240V, 50Hz  
 Installation Type: Hardwired; Built-in, Under Bench or Wall Mounted  
 Made In: Europe  
 Warranty: 24 Months Parts & Labour

Updated 27/01/2020 - V1

## Customer Care

T: 1300 739 033 (AU)  
 E: [customer care@omegaaappliances.com.au](mailto:customer care@omegaaappliances.com.au)

09 415 6000 (NZ)  
[customer care@monacocorp.co.nz](mailto:customer care@monacocorp.co.nz)

## Aesthetics

Finish: Stainless Steel with Black Glass  
 Controls: 2 Knob Controls & Touch Controls  
 Door: Top Opening Triple Glazed

## Key Features



### Easy View

Designed so you can see into the oven without opening the door through the largest and clearest oven window possible.



### Multifunction

This oven has a bottom, top and main element for more versatility and allows for better results in difficult dishes such as pastries, pies and pizzas.



### Made in EU

Built to the highest quality and standards, made in Europe is the benchmark.

NB: Drawings are not to scale - they are to assist only.

WARNING: technical specifications and product sizes can be varied by the manufacturer without notice. Cutouts for appliances should only be by physical product measurements. The above information is indicative only.