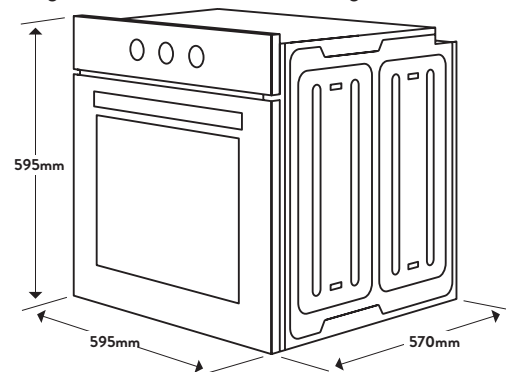




Dimensions/Weight

Overall Dimensions (mm): 595(h) x 595(w) x 570(d)
 Flush Mount Cut-Out (mm): 598(h) x 598(w)
 Proud Mount Cut-Out (mm): 580(h) x 580(w)
 Weight: 39kg



Technical Details

Style

Oven Type:	Standard
Category Size:	60cm
Capacity:	90 Litres

Functionality

Oven Functions:	Fan Forced Half Grill Grill Defrost Conventional Conventional + Fan Assist
Max Cooking Temperature:	250°C
Clock:	No
Timer:	Fully Programmable
Number of Shelf Positions:	8
Interior Light:	Yes

Features & Accessories

Accessories:	1 x Wire Shelf 1 x Shallow Baking Tray with Grill Insert 1 x Telescopic Runners 1 x 80mm Deep Baking Tray
Easy View Door:	Yes

Installation

Maximum Current:	15amps
Connection:	240V, 50Hz
Installation Type:	Hardwired; Built-in, Under Bench or Wall Mounted
Made In:	Europe
Warranty:	24 Months Parts & Labour

Updated 27/01/2020 - V1

Customer Care

T: 1300 739 033 (AU)
 E: customer care@omegaaappliances.com.au

09 415 6000 (NZ)
customer care@monacocorp.co.nz

Aesthetics

Finish:	Stainless Steel with Black Glass
Controls:	2 Knob Controls & Touch Controls
Door:	Top Opening Double Glazed

Key Features

- 90L

90L Capacity

More oven capacity to suit the largest of families.
- Multifunction**

This oven has a bottom, top and main element for more versatility and allows for better results in difficult dishes such as pastries, pies and pizzas.
- EUR

Made in EU

Built to the highest quality and standards, made in Europe is the benchmark.

NB: Drawings are not to scale - they are to assist only.
 WARNING: technical specifications and product sizes can be varied by the manufacturer without notice. Cutouts for appliances should only be by physical product measurements. The above information is indicative only.