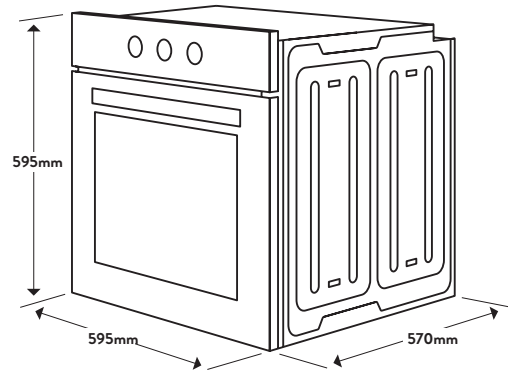




Dimensions/Weight

Overall Dimensions (mm): 595(h) x 595(w) x 570(d)
 Flush Mount Cut-Out (mm): 598(h) x 598(w)
 Proud Mount Cut-Out (mm): 580(h) x 580(w)
 Weight: 37kg



Technical Details

Style

Oven Type: Standard
 Category Size: 60cm
 Capacity: 70 Litres

Functionality

Oven Functions: Fan Forced
 Defrost
 Grill
 Grill with Fan Assist
 Max Cooking Temperature: 250°C
 Clock: No
 Timer: Semi-automatic
 Number of Shelf Positions: 9
 Light: Yes

Features & Accessories

Accessories: 2 x Chrome Wire Shelf
 1 x Shallow Baking Tray
 Easy View Door: Yes

Installation

Maximum Current: 10amps
 Connection: 240V, 50Hz
 Installation Type: Plug and Play; Built-in,
 Under Bench or
 Wall Mounted

Made In: Europe
 Warranty: 24 Months Parts & Labour

Aesthetics

Finish: Stainless steel with black glass
 Controls: 3 Knob controls
 Door: Top opening double glazed

Key Features

9 Nine Racks
 An upgrade on the usual 4 or 5 racks giving you maximum flexibility.

Plug and Play
 Designed with a 10amp plug so you can connect to a standard powerpoint.

Easy View
 Designed so you can see into the oven without opening the door through the largest and clearest oven window possible.

Updated 27/01/2020 - V1

Customer Care

T: 1300 739 033 (AU)
 E: customercare@omegappliances.com.au

09 415 6000 (NZ)
 customercare@monacocorp.co.nz

NB: Drawings are not to scale - they are to assist only.
 WARNING: technical specifications and product sizes can be varied by the manufacturer without notice. Cutouts for appliances should only be by physical product measurements. The above information is indicative only.