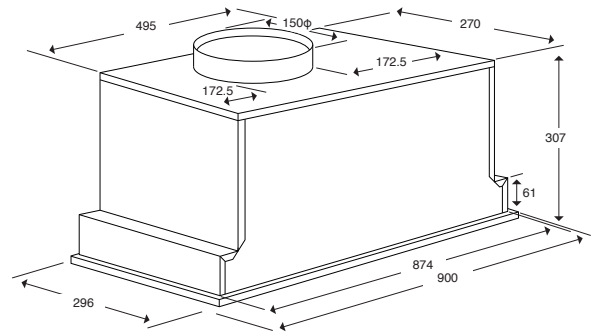




Dimensions/Weight

Overall dimensions (mm): 307(h) x 900(w) x 296(d)
 Duct diameter(mm): 150
 Weight: 12kg



Technical details

Style

Rangehood Type: Undermount
 Category Size: 90cm

Functionality

Extraction Type: Ducted
 Extraction Rate: 707m³/hr Net
 1000m³/hr Gross
 Number of Motors: 1
 Watts of Motor: 265w
 Speeds: 3
 Filtration: 1 x 3 Layer Aluminium Filter
 Lights: 25w LED Lighting Panel
 dBA Rating: 49-64

Installation

Maximum Current: 10amps
 Connection: 240v, 50Hz
 Installation Type: Built Into Overhead Cabinetry

Warranty: 24 Months Parts & Labour

Aesthetics

Finish: Black Glass
 Controls: Touch Control
 Control Location: Front Centre LED Display

Key Features



Full Panel LED Light

LED lights use a small amount of energy, generate little heat and last a long time. Not only are they cost effective, they will ensure your cooktop is well lit.



Touch Control LED Display

With backlit touch buttons, you can easily determine your rangehoods settings at a glance.



Black Glass Finish

Black is on trend making this rangehood a great addition to your new or updated kitchen.

Customer Care

T: 1300 11 4357
 E: sales@residentiagroup.com.au

NB: Drawings are not to scale - they are to assist only.
 WARNING: technical specifications and product sizes can be varied by the manufacturer without notice. Cutouts for appliances should only be by physical product measurements.
 The above information is indicative only.