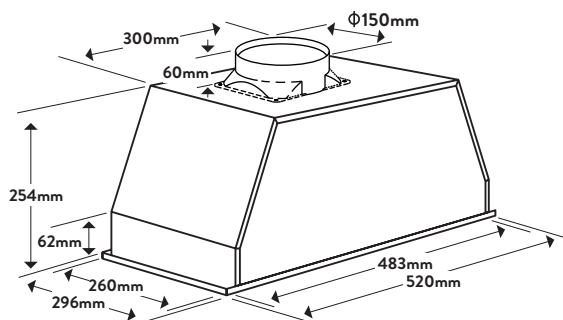




Dimensions/Weight

Overall dimensions (mm): 254(h) x 520(w) x 296(d)
 Duct diameter(mm): 150
 Weight: 8.5kg



Technical details

Style

Rangehood Type: Undermount
 Category Size: 52cm

Functionality

Extraction Type: Ducted
 Extraction Rate: 683m³/hr Net
 1000m³/hr Gross
 Number of Motors: 1
 Watts of Motor: 265w
 Speeds: 3
 Filtration: 1 x Aluminium Mesh
 Lights: 2 x 3w LED
 dBA Rating: 54-68

Installation

Maximum Current: 10amps
 Connection: 240v, 50Hz
 Installation Type: Built Into Overhead Cabinetry

Warranty: 24 Months Parts & Labour

Aesthetics

Finish: Matte Black Fascia & Filter
 Controls: Slide Switch
 Control Location: Concealed Front Centre

Key Features



LED Light

LED lights use a small amount of energy, generate little heat and last a long time. Not only are they cost effective, they will ensure your cooktop is well lit.



Washable Filter

The removable, washable filter is easy to maintain and keep clean ensuring your rangehood always performs well.



Matte Black Finish

Black is on trend making this rangehood a great addition to your new or updated kitchen.

Customer Care

T: 1300 11 4357
 E: sales@residentiagroup.com.au

NB: Drawings are not to scale - they are to assist only.
 WARNING: technical specifications and product sizes can be varied by the manufacturer without notice. Cutouts for appliances should only be by physical product measurements.
 The above information is indicative only.