



Technical Details

Style

Rangehood Type:	Canopy
Category Size:	90cm

Functionality

Extraction Type:	Ducted or Recirc.
Extraction Rate:	774m ³ /hr Net 1000m ³ /hr Gross
Number of Motors:	1
Watts of Motor:	265w
Speeds:	3
Filtration:	1 x Aluminium Mesh
Lights:	1 x 25 LED Panel
dBA Rating:	56-68

Accessories

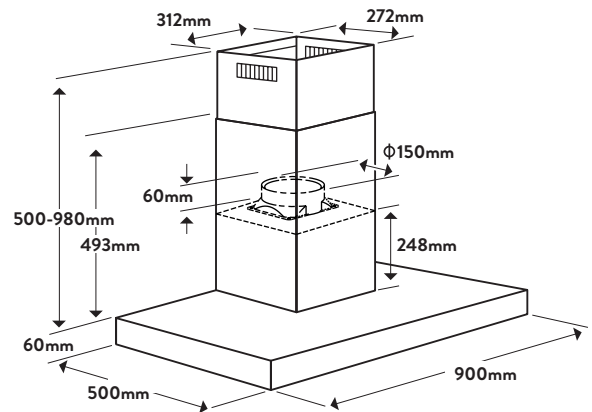
Charcoal Filter:	Optional - Spare Part ATCF260
------------------	----------------------------------

Installation

Maximum Current:	10amps
Connection:	240v, 50Hz
Installation Type	Wall Mounted
Warranty:	24 Months Parts & Labour

Dimensions/Weight

Overall dimensions (mm):	560-1040(h) x 900(w) x 500(d)
Duct diameter(mm):	150
Weight:	23kg



Aesthetics

Finish:	Matte Black
Controls:	Backlit Buttons
Control location:	Front Centre

Key Features



LED Light

LED lights use a small amount of energy, generate little heat and last a long time. Not only are they cost effective, they will ensure your cooktop is well lit.



Backlit Buttons

With backlit buttons, you can easily determine your rangehoods settings at a glance.



Matte Black Finish

Black is on trend making this rangehood a great addition to your new or updated kitchen.

Customer Care

T: 1300 11 4357
E: sales@residentiagroup.com.au

NB: Drawings are not to scale - they are to assist only.
WARNING: technical specifications and product sizes can be varied by the manufacturer without notice. Cutouts for appliances should only be by physical product measurements.
The above information is indicative only.