



Technical Details

Style

Dishwasher Type:	Built In
Category size:	60cm

Functionality

Place settings:	14 - 7 per drawer
Wash Programs:	Auto Intensive ECO Heavy Wash&Dry Super Fast Delicate
Allowable Plate Size:	27cm
Floating Plug:	Yes
Lockable Controls:	Yes - Child Safety Lock
Delayed Start:	Yes - 1-24 Hours
DualZone:	Yes
Aqua Stop Safety Hose:	No
Flexible Basket:	Yes
Half Load:	Yes
Extra Dry:	Yes - Dual Blower Turbo Drying
Noise:	47dBA
LED Display:	Yes

Water & Energy

WELS Water Rating:	4.5 Stars
Energy Rating:	3.5 Stars
Wash Temperatures (°C):	45 - 60°C
Maximum Water Temperature (°C):	69°C

Installation

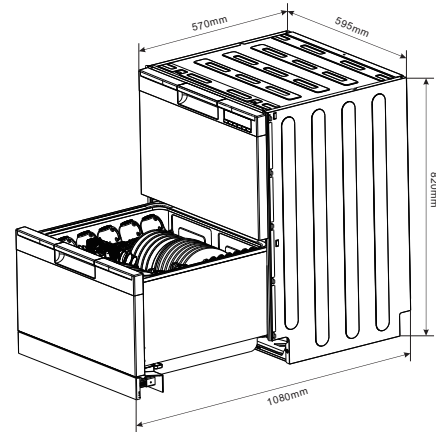
Maximum Current:	10amps
Connection:	240V, 50Hz
Installation type:	Built In
Water Connection:	Cold Water Recommended
Length of Hose:	1.5m
Water Pressure:	40-1000kpa

Customer Care

T: 1300 11 4357
E: sales@residentialgroup.com.au

Dimensions/Weight

Overall Dimensions (mm): 820(h) x 595(w) x 570(d)
Weight: 76.5kg



Aesthetics

Finish:	Stainless Steel
Interior Finish:	Stainless Steel #304 Grade (Including Spray Arm)
Controls:	Electronic Controls with LED Screen

Key Features



Flexible Baskets

Flexible tines can be pushed down to accommodate tall glasses, or raised to higher position for maximum room in the bottom section. The cutlery holder can be moved around in the dishwasher and the adjustable height cup holders can be flipped back when not required.



Delay Start

You can start your washing cycle within a 1-24hr timeframe, giving you the convenience to wash at any time you like.



Dual Blower Turbo Drying

Dual blowers are used to accelerate the drying process. One fan blows dry air whilst the second fan removes the humid air from the dishwasher cavity.

NB: Drawings are not to scale - they are to assist only.
WARNING: technical specifications and product sizes can be varied by the manufacturer without notice. Cutouts for appliances should only be by physical product measurements.
The above information is indicative only.