

## Technical Details

### Style

Oven Type:	Standard
Category Size:	60cm
Capacity:	90 Litre

### Functionality

Oven Functions:  
Defrost, Fan Force, Bottom, Conventional, Conventional with Fan, Pizza, Double Grill, Double Gill with Fan, Vap Clean

Max Cooking Temperature:	270°C
Clock:	Yes
Display:	White LED Display
Timer:	Fully Programmable
Very Slow Cooking:	Yes
Minute Minder:	Yes
Wait Mode:	Yes
Boost Function:	Yes
Number of Shelf Positions:	12
Interior Light:	Yes

### Features & Accessories

Accessories:	2 x Chrome Wire Shelves 1 x Baking Tray with Grill Insert 1 x Full Extraction Telescopic Runner Set
Easy View Door:	Yes
Key Lock:	Yes
Vap Clean Function:	Yes
Cooling Fan:	Yes
Cool Touch Door:	Yes

### Installation & Warranty

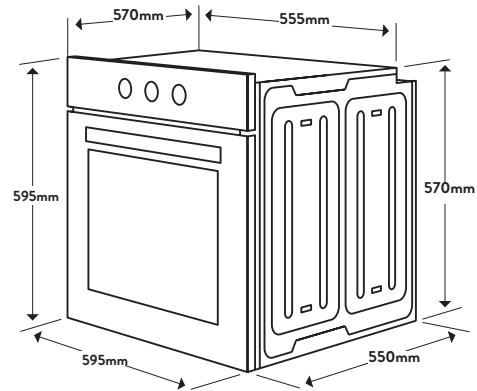
Maximum Current:	3100W
Connection:	240V, 50Hz
Installation Type:	Built-In, Hardwired
Made In:	Europe
Warranty:	5 Years Parts & Labour

## Customer Care

T: 1300 11 4357  
E: sales@residentiagroup.com.au

## Dimensions/Weight



Overall Dimensions (mm):	595(h) x 595(w) x 570(d)
Flush Mount Cut-Out (mm):	598(h) x 598(w)
Weight:	32.1kg



## Aesthetics

Finish:	Pure Black Glass
Controls:	Touch Controls
Door:	Top Opening, Double Glazed

## Key Features

- 90L** **90L Capacity**  
 With an 80mm deep baking tray and the large 90L capacity, you can maximise the usage of your oven to accommodate more food.
- 12** **12 Rack Positions**  
 12 rack positions inside the oven provides maximum flexibility. You can easily move the shelves to fit more food or place it in a better position for perfect cooking results.
-  **Multifunction**  
 Multifunction ovens enable you to cook with a combination of heat from the top and bottom elements. This offers more versatility, control and better results when cooking a variety of dishes.
-  **Touch Control**  
 Slim LED Display with full touch control which enables you to select the function you want, adjust the temperature you need or select pre designated type of meal you are cooking.

NB: Drawings are not to scale - they are to assist only.  
WARNING: technical specifications and product sizes can be varied by the manufacturer without notice. Cutouts for appliances should only be by physical product measurements.  
The above information is indicative only.