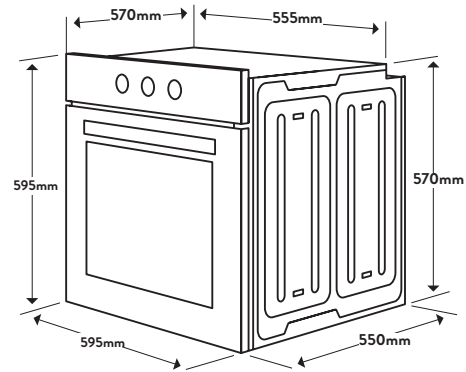




Dimensions/Weight

Overall Dimensions (mm): 595(h) x 595(w) x 570(d)
 Flushmount Dimensions (mm): 598(h) x 598(w)
 Proudmount Dimensions (mm): 600(h) x 560(w) x 585(d)
 Weight: 36.6kg



Technical Details

Style

Oven Type: Standard
 Category Size: 60cm
 Capacity: 90 Litres

Functionality

Oven Functions: Fan Forced
 Half Grill
 Grill
 Grill with Fan Assist
 Pyrolytic Clean
 Conventional
 Conventional with Fan Assist
 Defrost

Pyrolytic Cleaning Period: 60 or 90 minutes
 Max Cooking Temperature: 270°C
 Clock: Yes
 Timer: Fully Programmable
 Number of Shelf Positions: 8
 Interior Light: Yes

Features & Accessories

Accessories: 2 x Chrome Wire Shelves
 1 x Baking Tray with Grill Insert
 1 x 80mm Deep Baking Tray
 1 x Set of Telescopic Runners

Easy View Door: Yes

Installation

Maximum Current: 15amps
 Connection: 240V, 50Hz
 Installation Type: Built-In
 Made In: Europe
 Warranty: 5 Years Parts & Labour


Customer Care

T: 1300 11 4357
 E: sales@residentiagroup.com.au

Aesthetics

Finish: Black Glass with Stainless Steel Trim
 Controls: Knob & Touch Control
 Door: Top Opening, Quad Glazed

Key Features

- 
Made in Europe
 Built to the highest quality and standards, this quality European pyrolytic oven is sure to meet your needs.
- 
Pyrolytic Cleaning
 Ovens with this feature use extreme internal heat to turn any grease and food residue into ash that can simply be wiped away. The cleaning period can be set to 60 or 90 minutes.
- 
Multifunction
 Multifunction ovens enable you to cook with a combination of heat from the top and bottom elements. This offers more versatility, control and better results when cooking a variety of dishes.

NB: Drawings are not to scale - they are to assist only.
 WARNING: technical specifications and product sizes can be varied by the manufacturer without notice. Cutouts for appliances should only be by physical product measurements.
 The above information is indicative only.