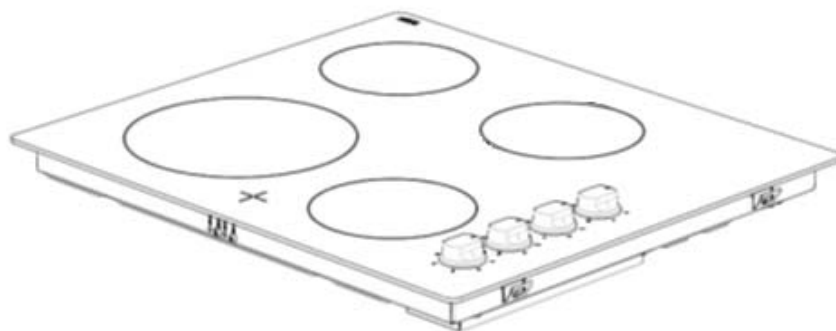


omega

Instruction Manual for
Cooktop

OC64KZ



Thank you for introducing our family to yours

At Omega, we understand that cooking, cleaning and washing may not be your favourite things in the world. That's why we created a range of no-nonsense, reliable products that always get the job done for you. With the features you need and nothing you don't. What's more, they're made to fit perfectly into your home life and your wallet.

We aim to simplify any further appliance purchases. When researching our products you will find a range of icons that visually represent our products key features. Visit our website to learn more about these icons and the features and benefits of our products.

You are welcoming an Omega appliance into your place and you can be sure it'll always serve you well.

For important information about your Omega such as warranty registration, online manuals, specifications and catalogues, please visit

www.omegaappliances.com.au/customer (if you are in Australia) or

www.omegaappliances.co.nz/customer (if you are in New Zealand).

Make sure you activate your product warranty on our websites on the links above.

If you want to know more about promotions, to receive cool tips and tailor made content, like us on www.facebook.com/omegaappliances and follow us on www.instagram.com/omegaappliances_aus.

We hope you love this product as much as we do!



www.omegaappliances.com.au / www.omegaappliances.co.nz



[omegaappliances](https://www.facebook.com/omegaappliances)



[omegaappliances_aus](https://www.instagram.com/omegaappliances_aus)

CONTENTS:

DESCRIPTION OF THE HOB 3

SAFETY INSTRUCTIONS 4

INSTALLATON 6

Locating Your Built-in Hob..... 6

Electrical Connection of Your Hob 8

USAGE 10

Residual Heat Functions.....10

CLEANING AND CARE 11

The symbol on the product or on its packaging indicates that this product may not be treated as household waste. Instead it shall be handed over to the applicable collection point for the recycling of electrical and electronic equipment. By ensuring this product is disposed of correctly, you will help prevent potential negative consequences for the environment and human health, which could otherwise be caused by inappropriate waste handling of this product. For more detailed information about recycling of this product, please contact your local city office, your household waste disposal service or the shop where you purchased the product.

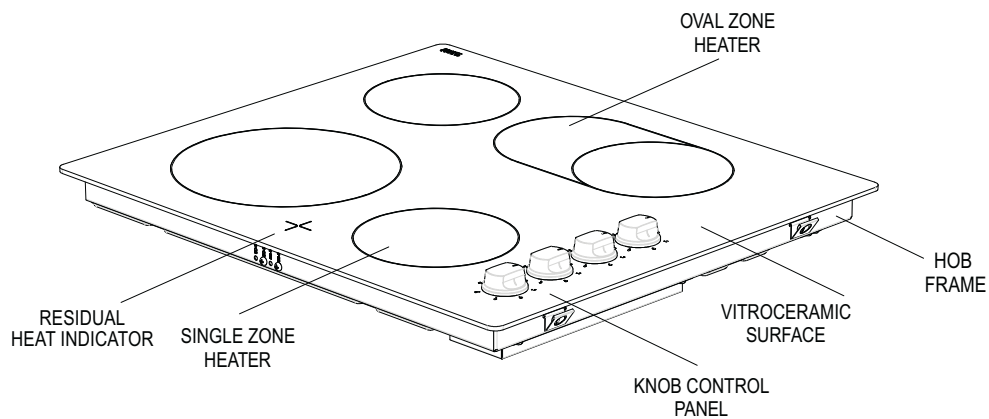


DESCRIPTION OF THE HOB

Dear Customer,

It is important that you should read this manual for best performance and to extend the life of your appliance. We recommend you to keep this manual for future reference.

Your new hob is guaranteed and will give lasting service. This guarantee is only applicable if the appliance has been installed and operated in accordance with the operating and installation instructions detailed in this manual.

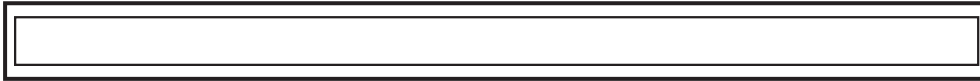


Note: Appearance of your hob maybe different than the model shown above due to its configuration.

SAFETY INSTRUCTIONS

Please comply with these instructions. If you do not, any damage resulting from improper, incorrect or negligent use or improper connection or installation is not covered by the warranty.

- This appliance should be used only for normal domestic use.
- This appliance must only be used for the purpose of heating or cooking food, any other use, for example heating rooms, working surface or storage surface, is dangerous.
- Additions or modifications to the appliance are not permitted.
- Do not place or store flammable liquids, highly inflammable materials or fusible objects on or near the appliance.
- Small children must be kept away from the appliance.
- The appliance may only be installed and connected by an authorised service personal.
- The electrical safety of this hob is guaranteed only if it is connected to a properly earthed system, which complies with the electrical safety standards.
- Built-in appliances may only be used after they have been built in to suitable built-in units and work surfaces that meet the standards.
- Do not put pressure on the power supply cable while fitting the hob.
- Power supply cable length should not exceed 2m for isolation safety.
- In the event of faults with the appliance or damage to the glass ceramic (cracks, scratches or splits), the appliance must be switched off and disconnected from the electrical supply to prevent the possibility of an electric shock.
- Repairs to the appliance must only be carried out by authorised service personal.
- Make sure all the packaging has been removed before you use the appliance.
- Cables from electrical appliances must not touch the hot surface of the appliance or hot cookware.



- Never leave the the appliance hob unattended when cooking with fat or oil. They can rapidly catch fire if overheated.
- Do not cut any food on the glass of the vitroceramic hob. Glass panels should not be used as working surfaces.
- Be careful when using small household appliances, such as irons, near the elements.
- Do not use the cooking zones with empty cookware or without cookware.
- Make sure all the controls are in the off position when not in use.
- For cleaning, the appliance must be switched off and cooled down.
- For safety reasons, the cleaning of the appliance with steam jet or high-pressure cleaning equipment is not permitted.
- Use only stable flat-based pans.
- The appliance is not intended for use by persons (including children) with reduced pyhsical, sensory or mental capabilities, or lack of experience and knowledge, unless they have been given supervision or instruction concerning use of the appliance by a person responsible for their safety.
- Children should be supervised to ensure that they do not play with appliance.

INSTALLATION

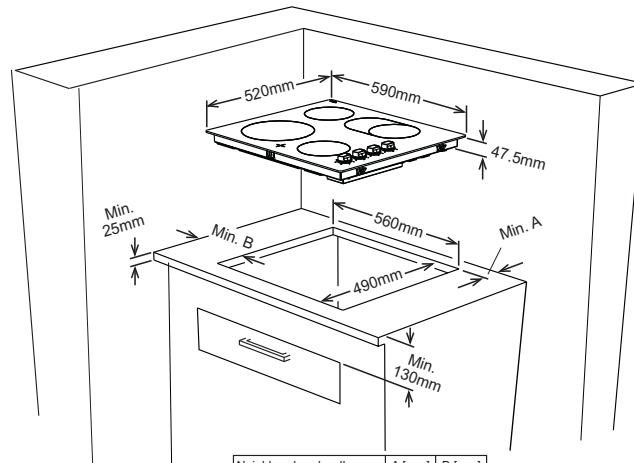
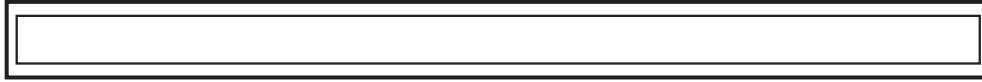
The electrical connection of this hob should be carried out by an authorised service personal or a qualified electrician, according to the instructions in this guide and in compliance with the current regulations.

- Prior to installation, ensure that the local distribution conditions and the adjustment of the appliance are compatible.
- The laws, ordinances, directives and standards in force in the country of use are to be followed (safety regulations, proper recycling in accordance with the regulations, etc.)

Locating your built-in hob

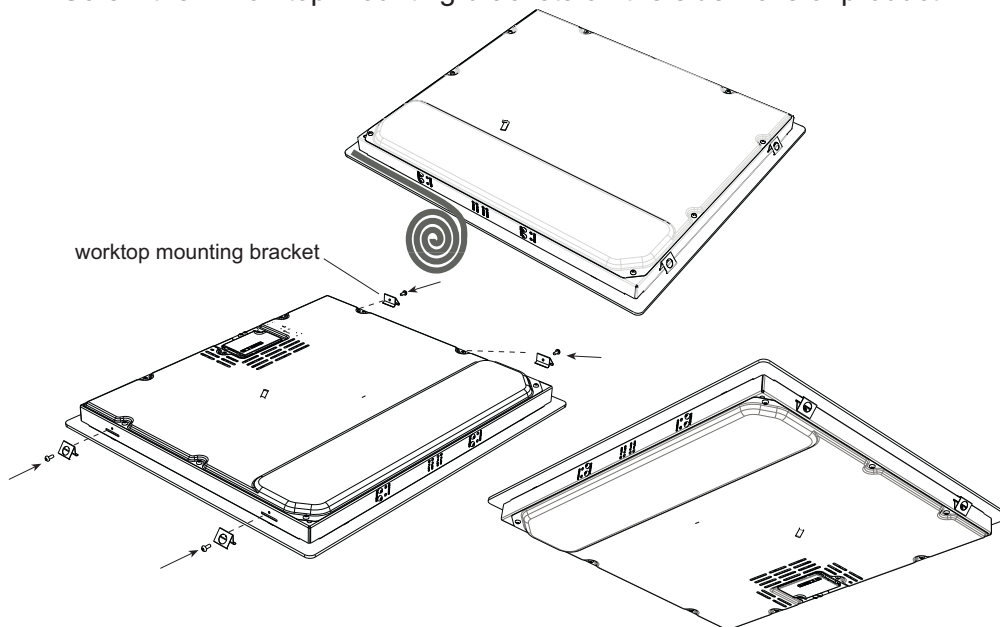
After removing the packaging material from the appliance and its accessories, ensure that the hob is not damaged. If you suspect any damage, do not use the appliance and contact an authorised service personal or a qualified electrician immediately.

- This built-in hob is to be inserted into a cut out of a worktop. It will be electrically connected with the switch box below, especially provided for this purpose.
- Create an opening with the dimensions shown in the picture on next picture. The distance between the rear edge of the hob and any adjacent wall is depend on wall surface. please don't use easily combustible material like curtain, paper at nearby hob.



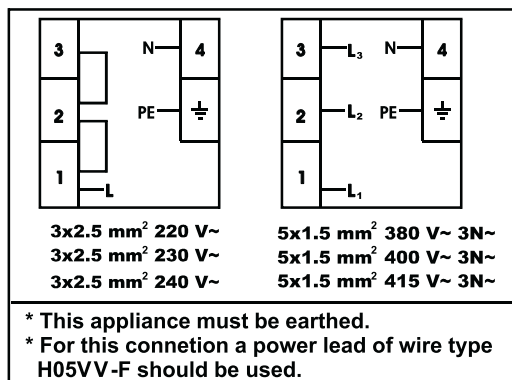
Neighborhood walls	A [mm]	B [mm]
Combustible	60	150
Non-combustible	25	40

- Apply the one-sided self-adhesive sealing tape supplied all the way round the lower edge of the cooking surface along the outer edge of the glass ceramic panel. Do not stretch it.
- Screw the 4 worktop mounting brackets on the side walls of product.

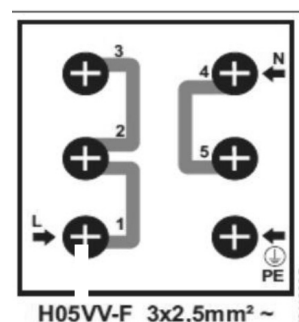


ELECTRICAL CONNECTION OF YOUR HOB

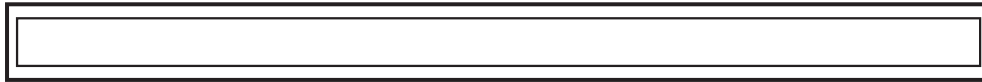
- Before proceeding with the electrical connection, verify that the current carrying capacity of the system and the socket is adequate for the maximum power rating of the hob.
- Electrical installation of the residence and the electrical current plug in use must be earthed and conform with safety regulations.
- If there is no dedicated hob circuit and fused switch, they must be installed by a qualified electrician before the hob is connected.
- Fused switch must be easily accessible once the hob has been installed.
- Do not use adaptors, multiple sockets and/or extension leads.
- This appliance conforms with the requirements of the following EEC Directives:
 1. Vitroceramic hob EEC/73/23 and 93/68, EEC/89/336 relating to radio interference,
 2. EEC/89/109 relating to contact with foods.
- A circuit breaker with a contact opening of at least 3mm, rated 32A and delayed functioning type must be installed inside the supply circuit.
- For the knob controlled vitroceramic hob, the cable must be H05VV-F 5X1,5mm² for 3 phase or 3X2,5mm² for single phase / 60227 IEC 53. You will find the connection diagram shown on the bottom of your appliance.



5 connection
Terminal Block



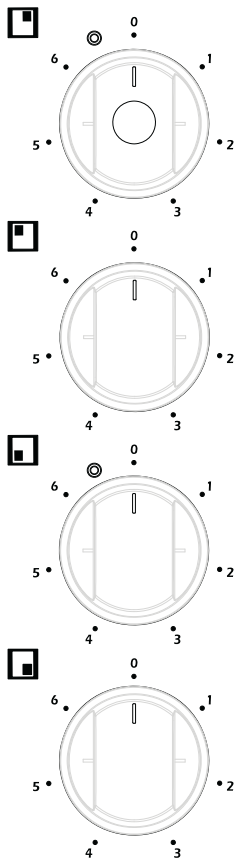
6 connection
Terminal Block



- During installation, please insure that isolated cables are used. An incorrect connection might damage your appliance. The guarantee will not cover such damages.
- All repairs must be carried out by an authorised service personal or a qualified electrician.
- Unplug your appliance before each maintenance. For reconnection, follow the connection diagrams strictly.
- Cooking hobs not provided with supply cord.


USAGE


The appliance is operated by using knob control and the heat stored is confirmed by residual heat indicator lamp on the vitroceramic surface.



Knob controlled cooker is designed for operating at 6 heat levels:

- 1 Keeping warm position
- 2-3 Heating position at low heat
- 4-5-6 Cooking – roasting and boiling position

Dual and oval heaters have two heating zones. To activate the outer zone of a dual/oval heater, turn the knob to  position once. In this way both outer zones switches on.

To deactivate the outer zone of a dual/oval heater, turn the knob to  position once. In this way, both outer zones switches off.

Residual Heat Functions

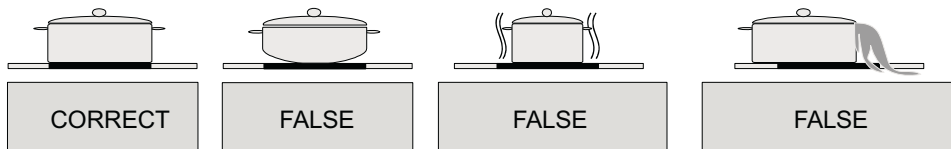
After all cooking processes there is some heat stored in the vitroceramic glass called residual heat. The control can calculate roughly how hot the glass is in the worst case. If the calculated temperature is higher than + 60 ° C, then this will be indicated in the related residual heat indicator lamp. The residual heat display is shown as long as the calculated heater temperature is > + 60 ° C.

After reapplying the supply voltage to the hob control after an interruption of the supply voltage occurred, causes that the residual heat display flashes, if the corresponding heater had a residual heat of greater + 60 ° C before the power interruption occurred. The display will flash until the max. residual heat time has expired or the heater will be selected and activated.

CLEANING AND CARE

Cookware with rough bottoms should not be used since these can scratch the glass ceramic surface. The bottom of the good cookwares should be as thick and flat as possible. Before use, make sure that cookware bottoms are clean and dry.

Always place the cookware on the cooking zone before it is switched on. If possible, always place the lids on the cookware. Bottom of cookwares must not be smaller or larger than the cooking zones, they should be at the proper size as indicated below, not to waste energy.



Before cleaning the hob, first remove the plug from the electrical supply socket. Then ensure that there is no residual heat stored in the appliance. Vitroceramic glass is very resistant to high temperature and overheating. If there is residual heat stored in the appliance, the related residual heat indicator lamp is on. In order to avoid burns, let the appliance cool down.

Remove all split food and fat with a window scrape. Then wipe the hob with a suitable washing up liquid and a clean damp cloth. Rub the appliance using a clean dry cloth.

If aluminium foil or plastic items are accidentally melt on the hob surface, they should be immediately removed from the hot cooking area with a scraper. This will avoid any possible damage to the surface. This also applies to sugar or food containing sugar may be spilled on the hob.

In the event of other food melt on the hob surface, remove the dirt when the appliance has cooled down. Use cleaner for glass ceramic or stainless steel when cleaning the surface.

Do not use dishcloth or abrasive sponge to clean the vitroceramic surface. These materials may damage the surface. Do not use chemical detergents, sprays or spot removers on the vitroceramic surface. These materials may cause fire or vitroceramic color fade. Clean with water and washing up liquid.