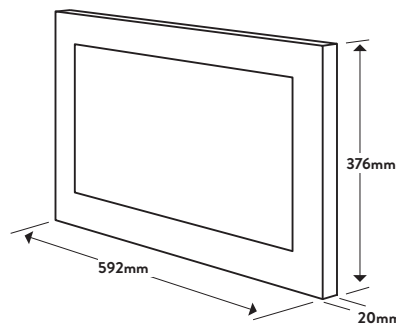


Dimensions/Weight

Overall Dimensions (mm): 376(h) x 592(w) x 20(d)
(Front Fascia)



Technical Details

Style

Suits	30 Litres Microwaves OM30X OM30CX OM30GX
-------	---

Functionality

Cabinetry ventilation:	OM30X model is suitable for both under bench and in a tower installation. OM30CX & OM30GX models are suitable for tower installation only due to ventilation requirements. A 600mm x 100mm minimum opening is required at the rear. Refer to install diagram for requirements.
------------------------	---

Parts:	Fascia assembly, 4x plastic female clips, base assembly, 8x 6 gauge screws and 2x 6 gauge screws
--------	--

Installation

Installation Type:	Integrated
--------------------	------------

Aesthetics

Finish:	Stainless Steel
---------	-----------------

Customer Care

T: 1300 11 4357
E: sales@residentiagroup.com.au

NB: Drawings are not to scale - they are to assist only.
WARNING: technical specifications and product sizes can be varied by the manufacturer without notice. Cutouts for appliances should only be by physical product measurements.
The above information is indicative only.