



Technical Details

Style

Rangehood Type:	Undermount
Category Size:	70cm

Functionality

Extraction Type:	Ducted or Recirculating
Extraction Rate:	820m ³ /hr Net
Number of Motors:	1
Watts of Motor:	265w
Speeds:	3
Filtration:	2 x Aluminium Mesh
Lights:	2 x 3W LED
dBA Rating:	51-66dBA

Accessories

Charcoal Filter:	Included ALFL68A601C - Spare Part
------------------	--------------------------------------

Installation

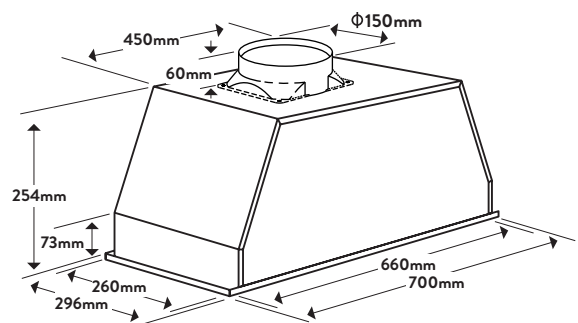
Maximum Current:	10amps 3 Pin Plug
Connection:	240V, 50Hz
Installation Type:	Built Into Overhead Cabinetry
Warranty:	24 Months Parts & Labour

Customer Care

T: 1300 11 4357
E: sales@residentiagroup.com.au

Dimensions/Weight

Overall Dimensions (mm):	254(h) x 700(w) x 296(d)
Duct Diameter (mm):	150mm
Weight:	8.5kg



Aesthetics

Finish:	Stainless Steel
Controls:	Push Buttons

Key Features



High Air Extraction

Cooking three or four dishes at once on a cook top usually generates extra steam and smoke. So, if your favourite dishes rely on woks, pots and frying pans then you probably need a powerful Omega rangehood. One that clears the air quietly and efficiently. Look for a higher model number. That means it offer more powerful suction.



Concealed Design

This rangehood will be concealed and look streamline under cupboards, perfect for smaller kitchens.



LED Light

LED lights use a small amount of energy, generate little heat and last a long time. Not only are they cost effective, they will ensure your cooktop is well lit.

NB: Drawings are not to scale - they are to assist only.
WARNING: technical specifications and product sizes can be varied by the manufacturer without notice. Cutouts for appliances should only be by physical product measurements.
The above information is indicative only.