



## Technical Details

### Style

Rangehood Type:	Canopy
Category Size:	90cm

### Functionality

Extraction Type:	Ducted or Recirculating
Extraction Rate:	852m <sup>3</sup> /hr Net 1000m <sup>3</sup> /hr Gross
Number of Motors:	1
Watts of Motor:	265w
Speeds:	3
Filtration:	1 x Aluminium Mesh
Lights:	2 x 1.5W LED
dBA Rating:	51-65dBA

### Accessories

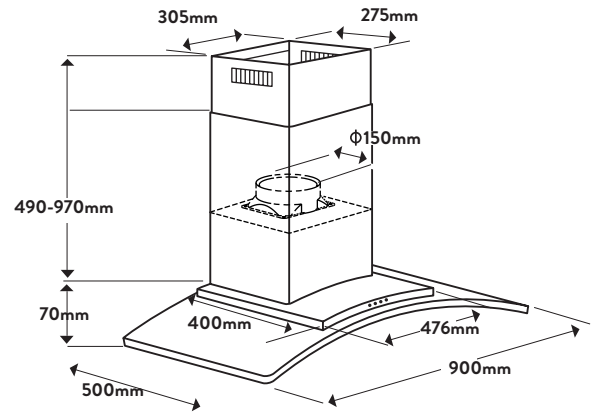
Charcoal Filter:	Optional ATCF260 (Spare Part)
------------------	----------------------------------

### Installation

Maximum Current:	10amps 3 Pin Plug
Connection:	240V, 50Hz
Installation Type	Wall Mounted
Warranty:	24 Months Parts & Labour

## Dimensions/Weight

Overall Dimensions (mm):	1040(h) x 900(w) x 500(d)
Chimney Height (mm):	490 - 970
Duct Diameter (mm):	150mm
Weight:	16.2kg



## Aesthetics

Finish:	Stainless Steel and Curved Glass
Controls:	Backlit Push Buttons

## Key Features



### High Air Extraction

Cooking three or four dishes at once on a cook top usually generates extra steam and smoke. So, if your favourite dishes rely on woks, pots and frying pans then you probably need a powerful Omega rangehood. One that clears the air quietly and efficiently.



### LED Light

LED lights use a small amount of energy, generate little heat and last a long time. Not only are they cost effective, they will ensure your cooktop is well lit.



### Washable Filter

The removable, washable filter is easy to maintain and keep clean ensuring your rangehood always performs well.

## Customer Care

T: 1300 11 4357  
E: sales@residentiagroup.com.au

NB: Drawings are not to scale - they are to assist only.  
WARNING: technical specifications and product sizes can be varied by the manufacturer without notice. Cutouts for appliances should only be by physical product measurements.  
The above information is indicative only.