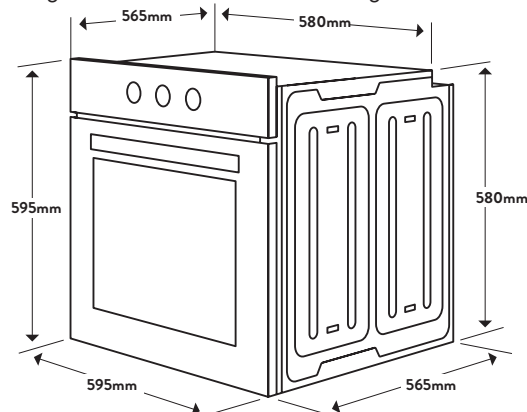




## Dimensions/Weight

Overall Dimensions (mm): 595(h) x 595(w) x 565(d)  
 Flush Mount Cut-Out (mm): 598(h) x 598(w)  
 Proud Mount Cut-Out (mm): 580(h) x 580(w)  
 Weight: 30.5kg



## Technical Details

### Style

Oven Type: Standard  
 Category Size: 60cm  
 Capacity: 72 Litres

### Functionality

Oven Functions: Fan Forced  
 Half Grill  
 Grill  
 Grill with Fan Assist  
 Max Cooking Temperature: 250°C  
 Clock: No  
 Timer: Mechanical  
 Number of Shelf Positions: 4  
 Light: Yes

### Features & Accessories

Accessories: 1 x Baking Tray  
 1 x Wire Insert  
 1 x Chrome Shelf  
 Easy View Door: Yes

### Installation

Maximum Current: 10amps  
 Connection: 240V, 50Hz  
 Installation Type: Plug and Play; Built-in,  
 Under Bench or  
 Wall Mounted

Made In: Europe  
 Warranty: 24 Months Parts & Labour




## Customer Care

T: 1300 11 4357  
 E: sales@residentiagroup.com.au

## Aesthetics

Finish: Stainless Steel with Black Glass  
 Controls: 3 Knob Controls &  
 Button Controls  
 Door: Top Opening Triple Glazed

## Key Features

- 
**72L Capacity**  
 More oven capacity to suit the largest of families.
- 
**Plug & Play**  
 Designed with a 10amp plug so you can connect to a standard powerpoint.
- 
**Easy View**  
 Designed so you can see into the oven without opening the door through the largest and clearest oven window possible.

NB: Drawings are not to scale - they are to assist only.  
 WARNING: technical specifications and product sizes can be varied by the manufacturer without notice. Cutouts for appliances should only be by physical product measurements. The above information is indicative only.