



omega

Instruction Manual

MICROWAVE BUILT-IN OVEN

Model OMW25B

Thank you for purchasing an Omega appliance

Tailored for the modern aesthetic and lifestyle of busy people, your new Omega Appliance will make a welcome addition to the family.

Omega caters to style-savvy customers who look for balance between stunning form and clever function. This means a combination of sleek, chic, sophisticated design yet effortless functionality. And we source from the best. The best craftsmanship. The best innovation. From the best international design-houses.

All brought together under an appliance that stands for design-led balance.

Please take the time to read through the following instruction manual to familiarise yourself with the installation, operation requirements and maintenance to ensure optimum performance.

Further Information

For important information about your Omega Appliance such as warranty registration, manuals, features, and specifications please visit omegaappliances.com.au (if you are in Australia) and omegaappliances.co.nz (if you are in New Zealand) or contact our Customer Care team on the below email or phone numbers.

Registering Your Warranty

For peace of mind you can register your warranty at omegaappliances.com.au. Further information on the Warranty can be found at the end of this manual.

Contact Us

Our customer service team is here to help you with any question or concern. Both teams are on call Monday to Friday 8.30am to 5.00pm and of course you can always send an email at your convenience.

Australia Contact Details

Monday to Friday 8.30am – 5.00pm
Email: customercare@omegaappliances.com.au
Phone: 1300 739 033

New Zealand Contact Details

Monday to Friday 8.30am – 5.00pm
Email: customercare@monacocorp.co.nz
Phone: 09 415 6000

To stay up to date and find simple and easy recipes, follow us on our socials:

facebook.com/omegaappliances
instagram.com/omegaappliances_au

READ THE INSTRUCTION BOOKLET BEFORE INSTALLING AND USING THE APPLIANCE.

It is important that you retain these instructions, proof of purchase as well as other important documents about this product for future reference.

The manufacturer will not be responsible for any damage to property or to persons caused by incorrect installation or improper use of the appliance.

Due to continual product development, Omega reserves the right to alter specifications and appearances without notice.

Contents

Important Safety Warnings.....	4
Product Details.....	6
Installation Instruction.....	7
Operation Instruction.....	11
Cleaning and Maintenance.....	18
Troubleshooting.....	19
Australian & New Zealand Product Warranty Statements of Standard Warranty Conditions	20

Disposal Information

- Most of the packaging materials are recyclable. Please dispose of these materials through your local recycling depot or by placing them into appropriate collection containers.
- If you wish to discard this product, please contact your local authorities and ask for the correct method of disposal.

Important Safety Warnings

READ CAREFULLY AND KEEP FOR FUTURE REFERENCE.

To reduce the risk of fire, electric shock, injury to persons or exposure to excessive microwave oven energy when using your appliance, follow basic precautions, including the following:

1. Read and follow the specific precautions to avoid possible exposure to excessive microwave energy.
2. **WARNING:** The appliance and its accessible parts become hot during use. Care should be taken to avoid touching heating elements. Children shall be kept away unless continuously supervised.
3. Do not use harsh abrasive cleaners or sharp metal scrapers to clean the oven door glass since they can scratch the surface, which may result in shattering of the glass.
4. **WARNING:** Liquids and other foods must not be heated in sealed containers since they are liable to explode.
5. **WARNING:** It is hazardous for anyone other than a competent person to carry out any service or repair operation that involves the removal of any cover which gives protection against exposure to microwave energy.
6. The appliance is not intended for use by persons (including children) with reduced physical, sensory or mental capabilities, or lack of experience and knowledge, unless they have been given supervised or instruction concerning use of the appliance by a responsible person for their safety.
7. Keep the appliance and its cord out of reach of children.
8. Only use utensils suitable for use in microwave ovens.
9. When heating food in plastic or paper containers, keep an eye on the oven due to the possibility of ignition.
10. If smoke is emitted, switch off or unplug the appliance and keep the door closed in order to stifle any flames.
11. Do not use the oven cavity for storage purposes. Do not store items, such as bread, cookies, etc. inside the oven.
12. Remove wire twist-ties and metal handles from paper or plastic containers/bags before placing them in the oven.
13. Install or locate this oven only in accordance with the installation instructions provided.
14. Eggs in the shell and whole hard-boiled eggs should not be heated in microwave ovens since they may explode, even after microwave heating has ended.
15. This appliance is intended to be used in household and similar applications such as:
 - staff kitchen areas in shops, offices and other working environments;
 - by clients in hotels, motels and other residential type environments;
 - farm houses;
 - bed and breakfast type environments.
16. If the supply cord is damaged, it must be replaced by the manufacturer, its service agent or similarly qualified persons in order to avoid a hazard.
17. Do not store or use this appliance outdoors.
18. Do not use this oven near water, in a wet basement or near a swimming pool.
19. The temperature of accessible surfaces may be high when the appliance is operating. The surfaces are liable to get hot during use. Keep cord away from heated surface, and do not cover any vents on the oven.
20. Do not let cord hang over edge of table or counter.
21. The contents of feeding bottles and baby food jars shall be stirred or shaken and the temperature checked before consumption, in order to avoid burns.
22. Microwave heating of beverages can result in delayed eruptive boiling. Therefore, care must be taken when handling the container.
23. Young children should be supervised to ensure that they do not play with the appliance.
24. The appliances are not intended to be operated by means of an external timer or separate remote-control system.
25. Accessible parts may become hot during use. Young children should be kept away.
26. Steam cleaners are not to be used.
27. During use the appliance becomes hot. Care should be taken to avoid touching heating elements inside the oven.
28. The microwave oven is intended to be used for built-in.

Important Safety Warnings

29. The microwave oven must be operated with the decorative door open (for ovens with a decorative door.)
30. **WARNING:** Only allow children to use the oven without supervision when adequate instructions have been given so that the child is able to use the oven in a safe way and understands the hazards of improper use.
31. **WARNING:** It is hazardous for anyone other than a trained person to carry out any service or repair operation which involves the removal of any cover which gives protection against exposure to microwave energy.
32. Leave a minimum clearance of 30cm above the oven, and a minimum clearance of 20cm is required between the oven and any adjacent walls.
33. Metallic containers for food and beverages are not allowed during microwave cooking. This requirement is not applicable if the manufacturer specifies size and shape of metallic containers suitable for microwave cooking.
34. The microwave oven is intended for heating food and beverages. Drying of food or clothing and heating of warning pads, slippers, sponges, damp cloth and similar may lead to risk of injury, ignition or fire.
35. The oven should be cleaned regularly and any food deposits removed. The door frame, door seal, cavities and neighbouring parts must be cleaned carefully with a damp cloth when they are dirty.
36. Failure to maintain the oven in a clean condition could lead to deterioration of the surface that could adversely affect the life of the appliance and possibly result in a hazardous situation.
37. The microwave oven is intended to be used for freestanding.
38. The microwave oven must not be placed in a cabinet.
39. **WARNING:** When the appliance is operated in the combination mode, children should only use the oven under Adult supervision due to the temperature generated.
40. After installation, the top of the oven is 54mm away from the top of the cabinet.
41. Care should be taken not to displace the turntable when removing containers from the appliance. (For fixed appliances and built-in appliances being used equal or higher than 900mm above the floor and having detachable turntables. But this is not applicable for appliances with horizontal bottom hinged door.)

PRECAUTIONS TO AVOID POSSIBLE EXPOSURE TO EXCESSIVE MICROWAVE ENERGY

1. Do not attempt to operate this oven with the door open since this can result in harmful exposure to microwave energy. It is important not to break or tamper with the safety interlocks.
2. Do not place any object between the oven front face and the door or allow soil or cleaner residue to accumulate on sealing surfaces.
3. **WARNING:** If the door or door seals are damaged, the oven must not be operated until it has been repaired by a competent person.
4. If the apparatus is not maintained in a good state of cleanliness, its surface could be degraded and affect the lifespan of the apparatus and lead to a dangerous situation.

DANGER: Electric Shock Hazard

Touching some of the internal components can cause serious personal injury or death. Do not disassemble this appliance.

WARNING:

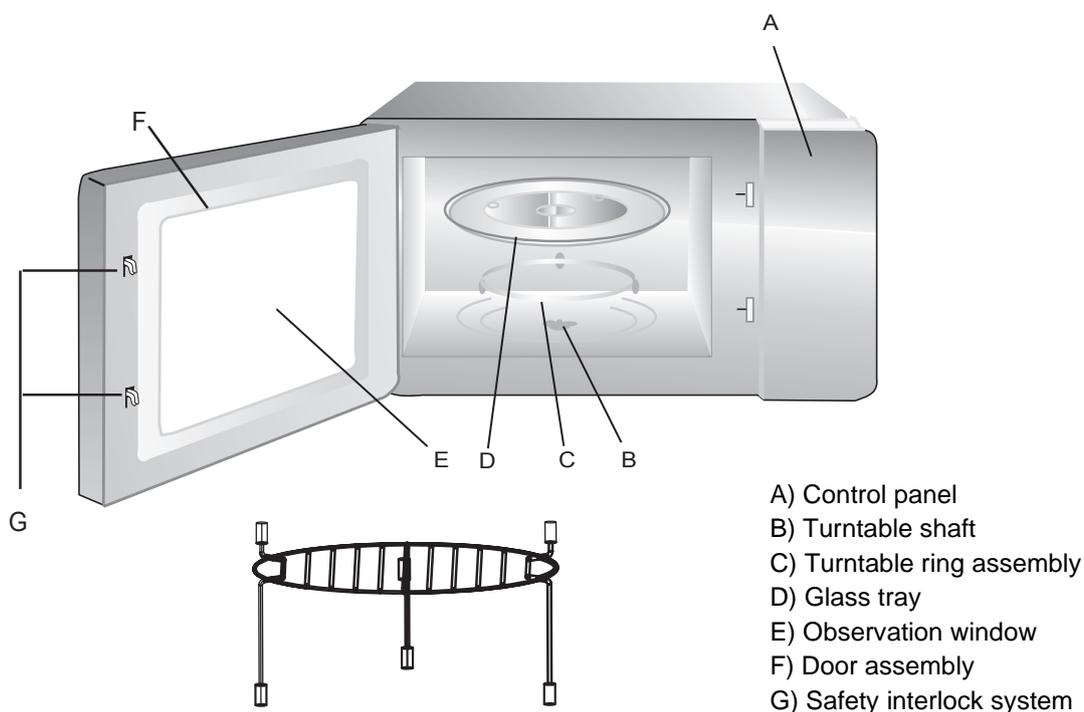
A short power-supply cord is provided to reduce the risks resulting from becoming entangled in or tripping over a longer cord.

If a long cord set or extension cord is used:

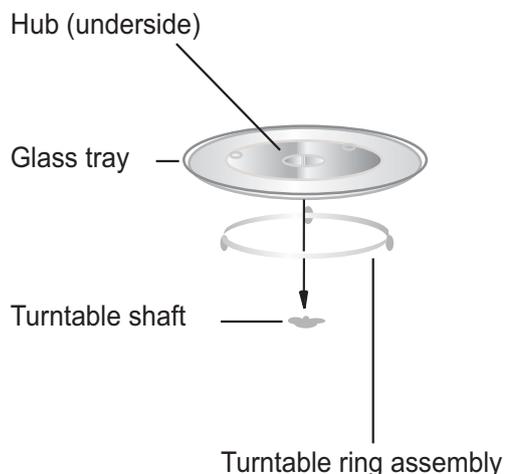
- The marked electrical rating of the cord set or extension cord should be at least as great as the electrical rating of the appliance.
- The long cord should be arranged so that it will not drape over the counter top or tabletop where it can be pulled on by children or tripped over unintentionally.

Product Details

Model:	OMW25B
Rated Voltage:	240V~ 50Hz
Rated Input Power(Microwave):	1450 W
Rated Output Power(Microwave):	900 W
Oven Capacity:	25 L
Microwave Frequency:	2450 MHz
Rated Input (Grill):	1100 W
Rated Input (Convection):	2400 W
Turntable Diameter:	315 mm
External Dimensions (WxDxH):	595x471x388 mm
Net Weight:	Approx. 21.5 kg



Grill Rack (cannot be used in microwave function and must be placed on the glass tray)



- Never place the glass tray upside down. The glass tray should never be restricted.
- Both glass tray and turntable ring assembly must always be used during cooking.
- All food and containers of food are always placed on the glass tray for cooking.
- If glass tray or turntable ring assembly cracks or breaks, contact your nearest authorized service center.

Installation Instruction

Please read the manual carefully before installation

1. This appliance is only intended for domestic use.
2. This oven is intended for built-in use only. It is not intended for counter-top use or for use inside a cupboard.
3. Please observe the special installation instructions.
4. The appliance can be installed in a 60cm wide wall mounted cupboard.
5. The appliance is fitted with a plug and must only be connected to a properly installed earthed socket.
6. The mains voltage must correspond to the voltage specified on the rating plate.
7. The socket must be installed and connecting cable must only be replaced by a qualified electrician. If the plug is no longer to accessible following installation, an all-pole disconnecting device must be present on the installation side with a contact gap of at least 3mm.
8. Adapters, multi-way strips and extension leads must not be used. Overloading can result in a risk of fire.



The accessible surface may be hot during operation.

Electrical connection

The oven is fitted with a plug and must only be connected to a properly installed earthed socket. The socket must only be installed and connecting cable must only be replaced by a qualified electrician, and in accordance with the appropriate regulations.

If the plug is no longer accessible following installation, an all-pole isolating switch must be present on the installation. The fitted cabinet must not have a back wall behind the appliance. A gap must be maintained between the wall and the base of the unit above. Specified gap size could be referenced by the diagrams.

Please note: Allow disconnection of the appliance after installation, by accessible plug or a switch in the fixed wiring.

Minimum installation height: 85 cm.

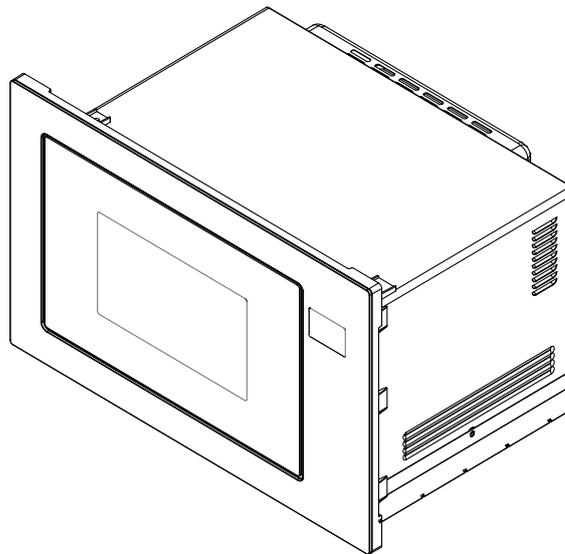
Do not cover ventilation slots and suction holes.

Note: Do not trap or bend the power cable.

 Screw

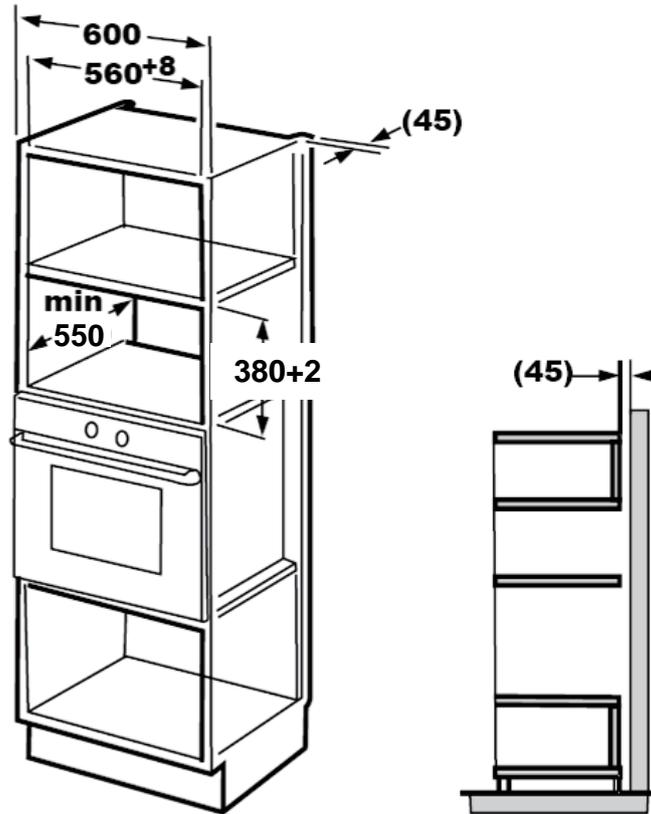
 Mounting Plate

 Trim-kit plastic cover



Installation Instruction

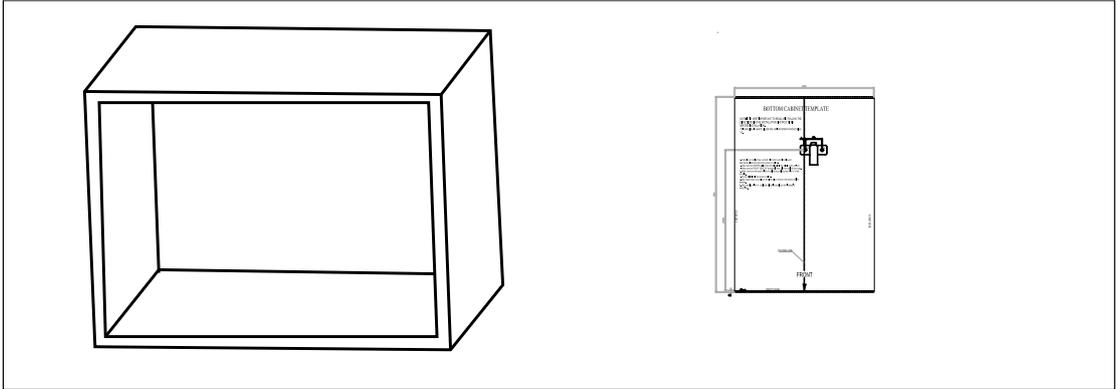
A. Built-In Furniture



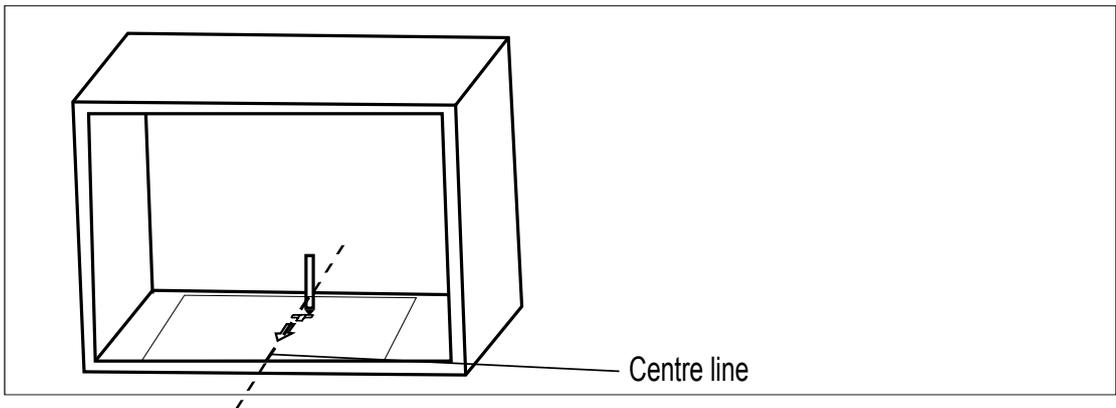
Installation Instruction

B. Prepare the cabinet

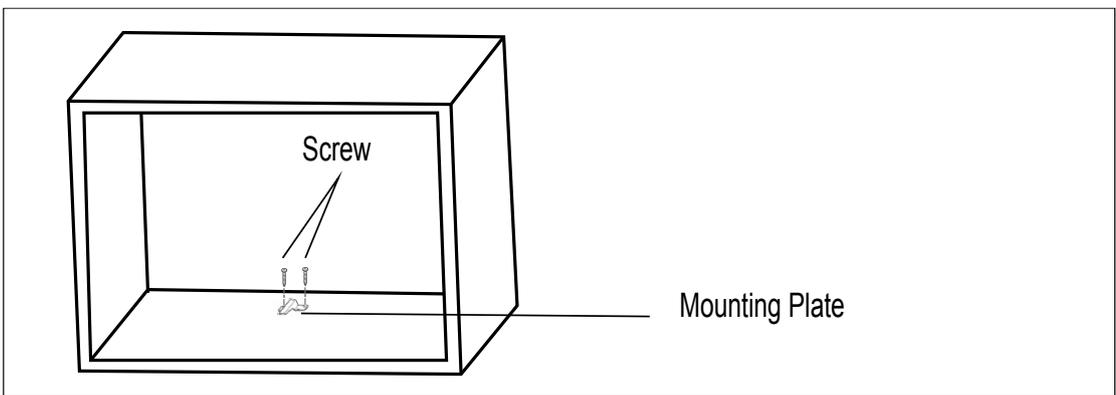
1. Read the instruction on the BOTTOM CABINET TEMPLATE, put the template on the bottom plane of cabinet.



2. Make the marks on the bottom plane of cabinet according to marks "a" of the template.



3. Remove the bottom cabinet template and fix the mounting plate with screw.

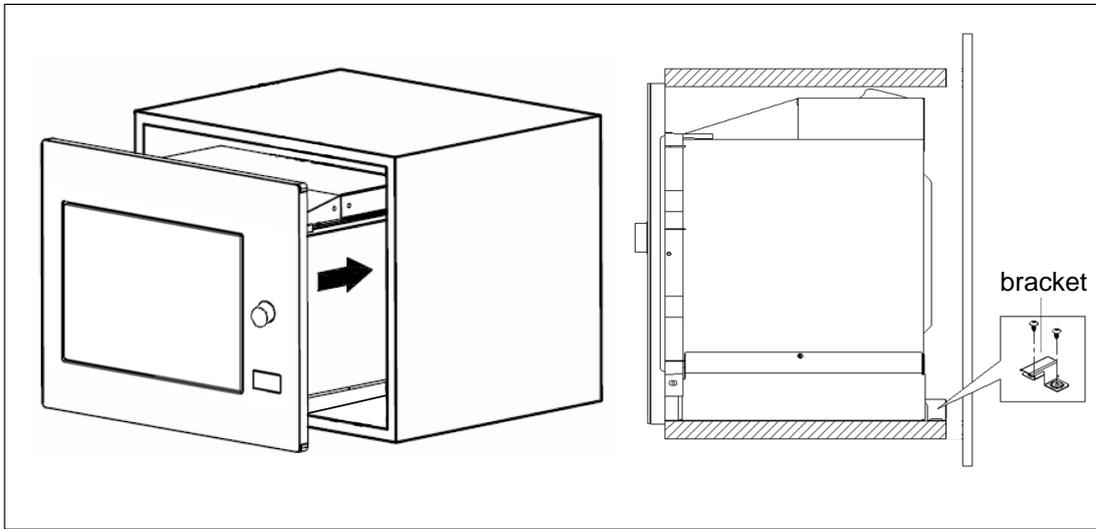


Installation Instruction

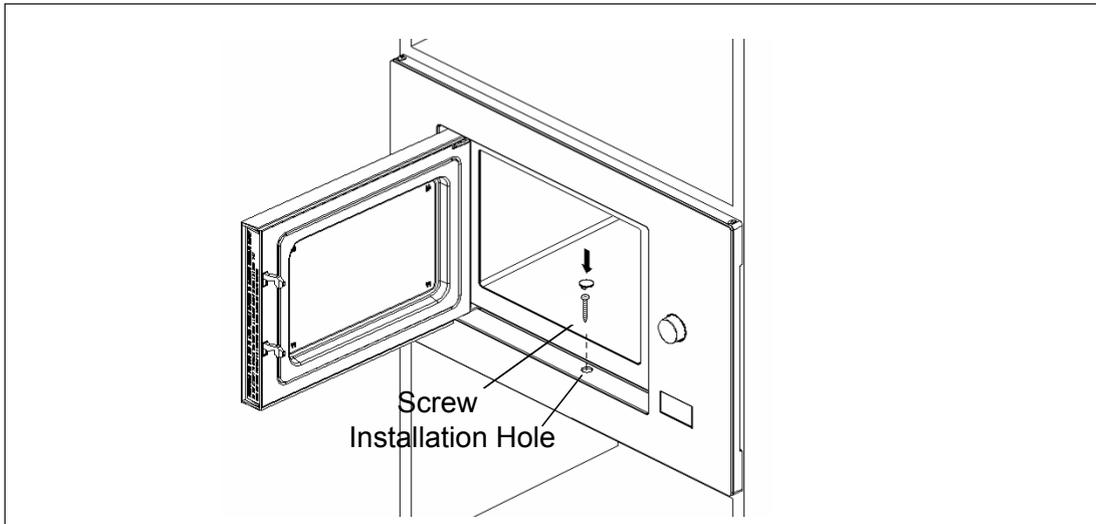
C. Install the oven

4. Install the oven to the cabinet

- Make sure the back of the oven is locked by mounting plate.
- Do not trap or kink the power cord.



5. Open the door, fix the oven to the cabinet with screw, at the installation hole. Then fix the Trim-kit plastic cover to the installation hole.



Operation Instruction

MATERIALS TO BE AVOIDED IN THE MICROWAVE OVEN

Utensils	Remarks
Aluminum tray	May cause arcing. Transfer food into microwave-safe dish.
Food carton with metal handle	May cause arcing. Transfer food into microwave-safe dish.
Metal or metal trimmed utensils	Metal shields the food from microwave energy. Metal trim may cause arcing.
Metal twist ties	May cause arcing and could cause a fire in the oven.
Paper bags	May cause a fire in the oven.
Plastic foam	Plastic foam may melt or contaminate the liquid inside when exposed to high temperature.
Wood	Wood will dry out when used in the microwave oven and may split or crack.

Utensil Test

1. Fill a microwave-safe container with 1 cup of cold water (250ml) along with the utensil in question.
2. Cook on maximum power for 1 minute.
3. Carefully feel the utensil. If the empty utensil is warm, do not use it for microwave cooking.
4. **Do not exceed 1 minute cooking time.**

MATERIALS YOU CAN USE IN THE MICROWAVE OVEN

Utensils	Remarks
Browning dish	Follow manufacturer's instructions. The bottom of browning dish must be at least 3/16 inch (5mm) above the turntable. Incorrect usage may cause the turntable to break.
Dinnerware	Microwave-safe only. Follow manufacturer's instructions. Do not use cracked or chipped dishes.
Glass jars	Always remove lid. Use only to heat food until just warm. Most glass jars are not heat resistant and may break.
Glassware	Heat-resistant oven glassware only. Make sure there is no metallic trim. Do not use cracked or chipped dishes.
Oven cooking bags	Follow manufacturer's instructions. Do not close with metal tie. Make slits to allow steam to escape.
Paper plates and cups	Use for short-term cooking/warming only. Do not leave oven unattended while cooking.
Paper towels	Use to cover food for reheating and absorbing fat. Use with supervision for a short-term cooking only.
Parchment paper	Use as a cover to prevent splattering or a wrap for steaming.
Plastic	Microwave-safe only. Follow the manufacturer's instructions. Should be labeled "Microwave Safe". Some plastic containers soften, as the food inside gets hot. "Boiling bags" and tightly closed plastic bags should be slit, pierced or vented as directed by package.
Plastic wrap	Microwave-safe only. Use to cover food during cooking to retain moisture. Do not allow plastic wrap to touch food.
Thermometers	Microwave-safe only (meat and candy thermometers).
Wax paper	Use as a cover to prevent splattering and retain moisture.

Operation Instruction

1. Clock Setting

When the microwave oven is power on, the LED will display "0:00", buzzer will ring once.

a) Press "Kitchen Timer/Clock" twice to select clock function, the hour figures will flash.

b) Press "∧" or "∨" to adjust the hour figures, the input time should be within 0-23.

c) Press "Kitchen Timer/Clock", the minute figures will flash.

d) Press "∧" or "∨" to adjust the minute figures, the input time should be within 0-59.

e) Press "Kitchen timer/Clock" to finish clock setting, ":" will flash, and the time will light.

Note: i) The clock function will not work if the clock is not set.

ii) During the process of clock setting, if you press "STOP/CLEAR", the oven will go back to the previous status automatically.

2. Microwave Cooking

Press "Microwave/Grill/Combi./Conve." Once, the LED will display "P100". The "" will be lighted.

Press "Microwave/Grill/Combi./conve." for times or press "∧" or "∨" to choose the power you want, and "P100", "P80", "P50", "P30" or "P10" will display for each added press.

Then press "Start/+30s/Confirm" to confirm, and press "∧" or "∨" to set cooking time from 0:05 to 95:00. Press "Start/+30s/Confirm" again to start cooking. The "" will flash.

Example: If you want to use 80% microwave power to cook for 20 minutes, you can operate the oven as the following steps.

a) Press "Microwave/Grill/Combi./Conve." Once, the screen displays "P100".

b) Press "Microwave/Grill/Combi./Conve." Once again or press "∨" to choose 80% microwave power.

c) Press "Start/+30s/Confirm" to confirm, and the screen displays "P80".

d) Press "∧" or "∨" to adjust the cooking time until the oven displays "20:00".

e) Press "Start/+30s/Confirm" to start cooking.

Note: the step quantities for the adjustment time of the coding switch are as follow:

0 – 1 min : 5 seconds
1 – 5 min : 10 seconds
5 – 10 min : 30 seconds
10 – 30 min : 1 minute
30 – 95 min : 5 minutes

Operation Instruction

“Microwave/Grill/Combi./Conve.” Pad instruction

Order	Display	Microwave Power
1	P100	100%
2	P80	80%
3	P50	50%
4	P30	30%
5	P10	10%

3. Grill or Combi. Cooking

Press “Microwave/Grill/Combi./Conve.” once, the LED will display “P100”, and the  will be lighted.

Press “Microwave/Grill/Combi./Conve.” for times or press “ \wedge ” or “ \vee ” to choose the grill or combination mode, and “G”, “C-1”, “C-2”, “C-3” or “C-4” will display for each added press. Then press “Start/+30s/Confirm” to confirm, and press “ \wedge ” or “ \vee ” to set cooking time from 0:05 to 95:00. Press “Start/+30s/Confirm” again to start cooking.

Note: If half the grill time passes, the oven sounds twice, and this is normal. In order to have a better effect of grilling food, you should turn the food over, close the door, and then press “Start/+30s/Confirm” to continue cooking. If no operation, the oven will continue working.

Display	Microwave	Grill	Convection
C-1	✓		✓
C-2	✓	✓	
C-3		✓	✓
C-4	✓	✓	✓

Operation Instruction

4. Convection Cooking(With preheating function)

The convection cooking can let you to cook the food as a traditional oven. Microwave is not used. It is recommended that you should preheat the oven to the appropriate temperature before placing the food in the oven.

- a) Press “Microwave/Grill/Combi./Conve.” Once, the LED will display “P100”, and the “” will be lighted.
- b) Press “Microwave/Grill/Combi./Conve.” for times or press “ \wedge ” or “ \vee ” to select the convection temperature. The temperature can be chosen from 130 degrees to 220 degrees.
- c) Press “Start/+30s/Confirm” to confirm the temperature.
- d) Press “Start/+30s/Confirm” to start preheating. When the preheating temperature arrives, the buzzer will sound twice to remind you to put the food into the oven. And the preheated temperature is displayed and flash.
- e) Put the food into the oven and close the door.
Press “ \wedge ” or “ \vee ” to adjust the cooking time. (The maximum setting time is 95 minutes.)
- f) Press “Start/+30s/Confirm” key to start cooking.

Note: a. Cooking time cannot be input until the preheating temperature arrives.

If the temperature arrives, door must be opened to input the cooking time.

- b. If the time not input in 5 minutes, the oven will stop preheating. The buzzer sound five times and turn back to waiting states.

5. Convection Cooking(Without pre-heating function)

- a) Press “Microwave/Grill/Combi./Conve.” Once, the LED will display “P100”, and the “” will be lighted.
- b) Press “Microwave/Grill/Combi./Conve.” For times or press “ \wedge ” or “ \vee ” to select the convection temperature. The temperature can be chosen from 130 degrees to 220 degrees.
- c) Press the “Start/+30s/Confirm” to confirm the temperature.
- d) Press “ \wedge ” or “ \vee ” to adjust the cooking time. (The maximum setting time is 95 minutes)
- e) Press the “Start/+30s/Confirm” key to start cooking.

Operation Instruction

6. Defrost By Weight

- a) Press “Weight/Time Defrost” once, and the oven will display “dEF1”.
- b) Press “ \wedge ” or “ \vee ” to select the weight of food from 100 to 2000g. The “” and “” will be lighted.
- c) Press “Start/+30s/Confirm” to start defrosting.

7. Defrost By Time

- a) Press “Weight/Time Defrost” twice, and the oven will display “dEF2”.
- b) Press “ \wedge ” or “ \vee ” to select the defrost time. The MAX time is 95 minutes.
The “” and “” will be lighted.
- c) Press “Start/+30s/Confirm” to start defrosting.

8. Kitchen Timer

- a) Press “Kitchen Timer/Clock” once, LED will display 00:00.
- b) Press “ \wedge ” or “ \vee ” to enter the correct timer. (The maximum cooking time is 95 minutes)
- c) Press “Start/+30s/Confirm” to confirm setting.
- d) When the kitchen time is reached, clock indicator will go out. The buzzer will ring 5 times.
If the clock has been set (24 hour system), LED will display the current time.

Note: The kitchen time is different from 24 hour system. Kitchen Timer is a timer.

9. Multi-section cooking

At most 2 sections can be set for cooking. In multi-section cooking, if one section is defrosting, then defrosting shall be placed in the first section automatically. When the first section is over, the buzzer will sound a beep to start the second section.

10. Auto Menu

- a) Press “ \wedge ” to activate the Auto menu, and then press “ \wedge ” or “ \vee ” to choose the menu, and “A1” to “A10” will display, which means auto reheat, potato, meat, vegetable, fish, pasta, soup, cake, pizza and chicken.
- b) Press “Start/+30s/Confirm” to confirm.
- c) Press “ \wedge ” or “ \vee ” to choose the default weight as the menu chart.
- d) Press “Start/+30s/Confirm” to start cooking.

Operation Instruction

Cooking Guide:

Menu	Weight	Display	Power
A1 AUTO REHEAT	150 g	150	100 %
	250 g	250	
	350 g	350	
	450 g	450	
	600 g	600	
A2 POTATO	1 (about 230 g)	1	100 %
	2 (about 460 g)	2	
	3 (about 690 g)	3	
A3 MEAT	150 g	150	100 %
	300 g	300	
	450 g	450	
	600 g	600	
A4 VEGETABLE	150 g	150	100 %
	350 g	350	
	500 g	500	
A5 FISH	150 g	150	80 %
	250 g	250	
	350 g	350	
	450 g	450	
	650 g	650	
A6 PASTA	50 g (with 450 g cold water)	50	80 % Microwave
	100 g (with 800 g cold water)	100	
	150 g (with 1200 g cold water)	150	
A7 SOUP	200 ml	200	100 %
	400 ml	400	
	600 ml	600	
A8 CAKE	475 g	475	Preheat to 180 °C
A9 PIZZA	200 g	200	C-4
	300 g	300	
	400 g	400	
A10 CHICKEN	500 g	500	C-4
	750 g	750	
	1000 g	1000	
	1200 g	1200	

Operation Instruction

11. Speedy Cooking

- a) In waiting state, press “Start/+30s/Confirm” key to cook with 100% power level for 30 seconds. Each press on the same key can increase 30 seconds. The maximum cooking time is 95 minutes.
- b) In microwave, grill, convection, combination cooking state or time defrost state, press “Start/+30s/Confirm” key to increase 30 seconds of cooking time. Each press on the same key can increase 30 seconds. The maximum cooking is 95 minutes.

12. Speedy Microwave Cooking

In waiting state, press “ √ ” to choose cooking time directly then press “Start/+30s/Confirm” key to cook with 100 % microwave power. This program can be set as the first one of multi-stage.

13. Inquiring Function

- a) In states of microwave, grill, combination and convection cooking, press “Microwave/Grill/Combi./Conve.” , the current power will be displayed for 3 seconds. After 3 seconds, the oven will turn back to the former state.
- b) In cooking state, press “Kitchen Timer/Clock” to inquire the time and the time will display for 3 seconds.

14. Lock-out Function for Children

Lock: In waiting state, press “Stop/Clear” for 3 seconds, there will be a long beep denoting entering the children-lock state and the current time will display if the time has been set, otherwise, the LED will display “0:00”. The “” will be lighted.

Lock quitting: In locked state, press “Stop/Clear” for 3 seconds, there will be a long “beep” denoting that the lock is released.

15. Specification

- a) “Start/+30s/Confirm” must be pressed to continue cooking if the door is opened during cooking.
- b) Once the cooking program has been set, “Start/+30s/Confirm” is not pressed in 5 minutes. The current time will be displayed. The setting will be cancelled.
- c) The buzzer sounds once by efficient press, inefficient press will be no response.
- d) The buzzer will sound five times to remind you when cooking is finished.

Cleaning and Maintenance

CAUTION

Personal Injury Hazard

It is hazardous for anyone other than a competent person to carry out any service or repair operation that involves the removal of a cover which gives protection against exposure to microwave energy.

CLEANING

CAUTION: Be sure to unplug the appliance from the power supply.

1. Clean the cavity of the oven after use with a damp cloth.
2. Clean accessories in the usual way in soapy water.
3. The door frame and seal and neighbouring parts must be cleaned carefully with a damp cloth when they are dirty.
4. Do not use harsh abrasive cleaners or sharp metal scrapers to clean the oven door glass since they can scratch the surface, which may result in shattering of the glass.

Cleaning Tip - For easier cleaning of the cavity walls that the cooked food can touch:

- Place half a lemon in a bowl. Add 300ml water and heat on 100% microwave power for 10 minutes.
- Wipe the oven clean using a soft, dry cloth.

Troubleshooting

Normal	
Microwave oven interfering TV reception	Radio and TV reception may be interfered when microwave oven operating. It is similar to the interference of small electrical appliances, like mixer, vacuum cleaner, and electric fan. It is normal.
Dim oven light	In low power microwave cooking, oven light may become dim. It is normal.
Steam accumulating on door, hot air out of vents	In cooking, steam may come out of food. Most will get out from vents. But some may accumulate on cool place like oven door. It is normal.
Oven started accidentally with no food in.	It is forbidden to run the unit without any food inside. It is very dangerous.

Trouble	Possible Cause	Remedy
Oven cannot be started.	(1) Power cord not plugged in tightly.	Unplug. The plug again after 10 seconds.
	(2) Fuse blowing or circuit breaker works.	Replace fuse or reset circuit breaker (repaired by professional personnel of our company).
	(3) Trouble with outlet.	Test outlet with other electrical appliances.
Oven does not heat.	(4) Door not closed well.	Close door well.

Australian & New Zealand Product Warranty Statements of Standard Warranty Conditions

Australian Customers

Our goods come with guarantees that cannot be excluded under the Australian Consumer Law. You are entitled to a replacement or refund for a major failure and for compensation for any other reasonably foreseeable loss or damage. You are also entitled to have the goods repaired or replaced if the goods fail to be of acceptable quality and the failure does not amount to a major failure.

New Zealand Customers

Nothing herein contained shall be construed in any way as excluding or limiting your rights under the Consumer Guarantee Act 1993.

Our Warranty

This product is also covered by the manufacturer's warranty set out in this document (Our Warranty).

Our Warranty is for a period of twenty four (24) months from the date of purchase and for refrigeration appliances will have an additional thirty six (36) months after the first twenty four (24) months on the Sealed System (PARTS only) Compressor & condenser etc. The labour cost to replace these parts is the responsibility of the customer. This is in addition to (and does not exclude, restrict or modify) any rights or remedies to which you may already be entitled under the Australian Consumer Law or the New Zealand Consumer Guarantee Act 1993 relating to this product. Our Warranty (which is subject to the conditions below) covers rectification free of charge of any fault arising from defective materials or components, or faulty workmanship. The product will be repaired or replaced at the option of Omega, and all costs of installation, removal, cartage, freight travelling expenses and insurance are to be paid by the customer. Our Warranty is subject to the following conditions:

1. That the purchaser contact Omega prior to any product repair.
2. That the purchaser carefully follows all instructions provided with the product and complies with all relevant electrical & plumbing regulations in their State when installing the product.
3. That the purchaser carefully follows the instructions provided in the owner's handbook relating to the proper use and care of the product and does not use the product for any purpose other than the DOMESTIC use for which it has been designed. If the appliance is used in commercial applications or for rental purposes, Our Warranty is limited to a warranty of Twelve (12) months covering all parts with Three (3) months on any labour cost of service or repair.

Service Area

The provision of service under Our Warranty is limited by the boundary / territory area of the nearest service centre. Travelling cost incurred for service outside this area is not covered by Our Warranty

and service will incur commercial cost to be paid by the customer regulated by the number of kilometres travelled beyond the service area. These costs will be disclosed to you for acceptance by you prior to your claim being processed. Microwave ovens must be returned to your nearest Authorised Service Centre for repair as they are a carry in serviceable appliance.

What is Covered by our Warranty

During the warranty period, Omega or its authorised Service Centre will, at no extra charge, if your appliance is readily accessible without the need of special equipment and subject to the terms and conditions of this warranty, repair or replace any parts which it considers defective.

What is not Covered by our Warranty

1. Products installed damaged or incomplete or not in compliance with the relevant electrical & plumbing regulations in their State.
2. Normal wear and tear e.g. cleaning, light globes, filters etc.
3. Failure resulting from power surges and electrical storms.
4. Insect or vermin infestation.
5. Unauthorised repairs or use of non genuine Omega parts.
6. Any failure caused by the product not being used in accordance with the instruction and the installation manual provided with the product.
7. Misuse or abuse, including failure to properly maintain or service.
8. The clearing of blockages in pumps and hoses.
9. Damage which occurs during delivery or installation.
10. Claims to product surface coating due to liquid or solid spill-overs, accidental damage or damage caused from cleaning products not recommended by Omega.

How to Claim Our Warranty

While registering your warranty is not a requirement, for peace of mind you can register your warranty at omegaplumbing.com.au.

To make a claim under Warranty you will need to contact Omega in Australia or New Zealand by using the contact details below.

If you are contacting Omega regarding any warranty claims and spare parts inquiries, please make sure you have the following information on hand:

1. Product Name/Model Number
2. Serial Number/s
3. Purchase Date (as per invoice or proof of purchase)
4. Purchased From
5. Warranty Registration Number (if registered)

Contact Us Australia

Omega is a division of Shriro Australia Pty Ltd
Phone: 1300 739 033
Email: customercare@omegaplumbing.com.au

Contact Us New Zealand

Omega is a division of Monaco Corporation (member of Shriro)
Phone: 09 415 6000
Email: customercare@monacocorp.co.nz

